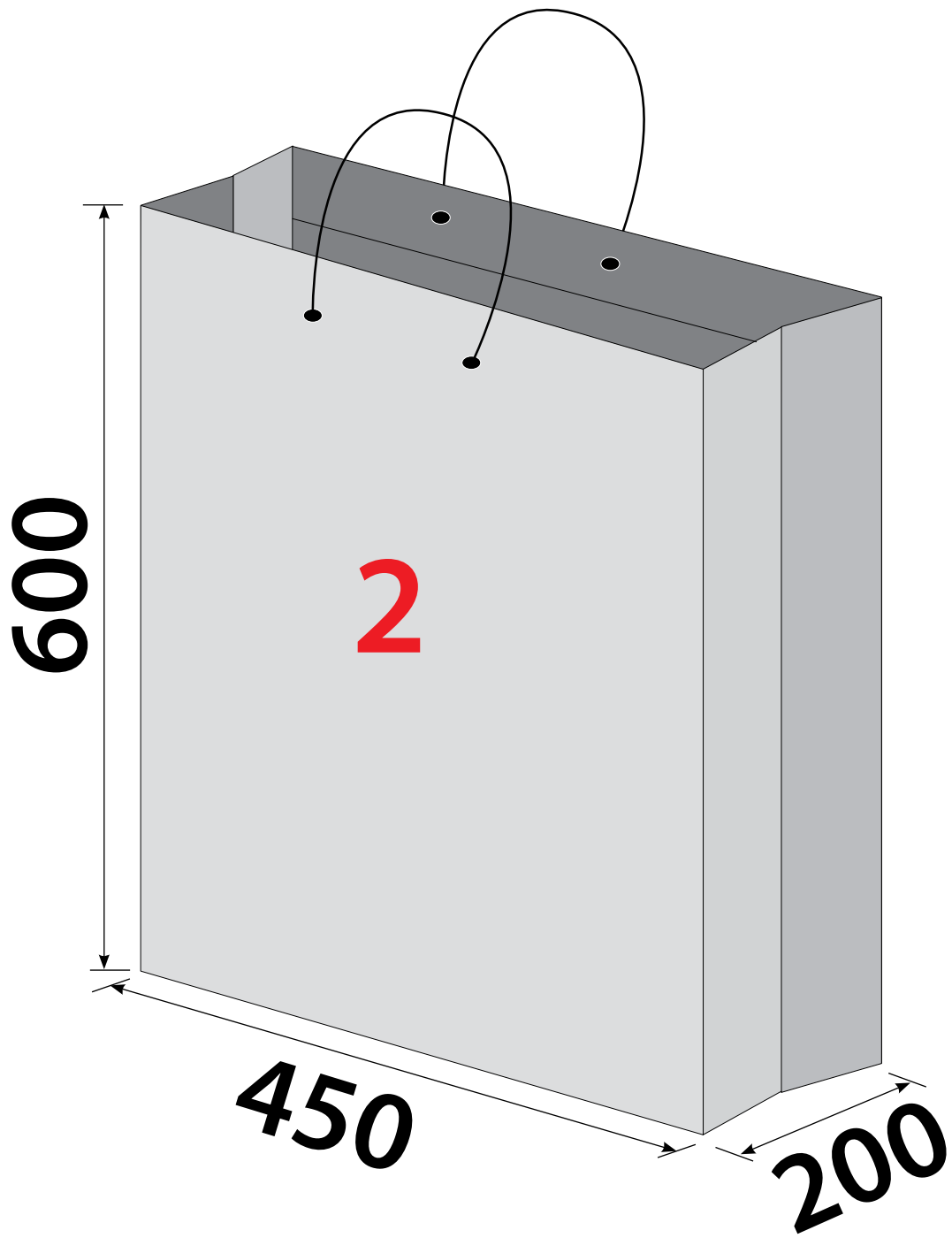
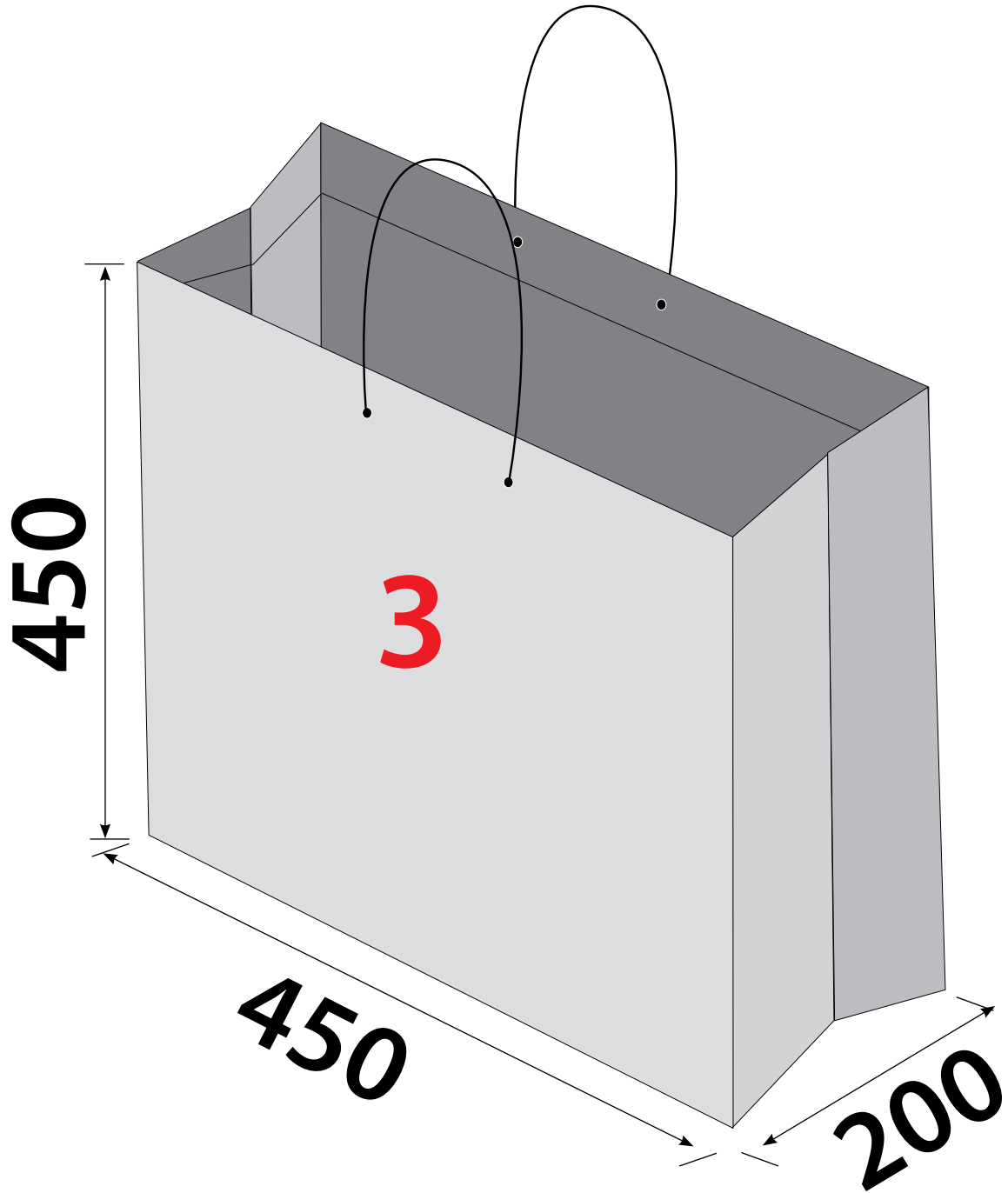


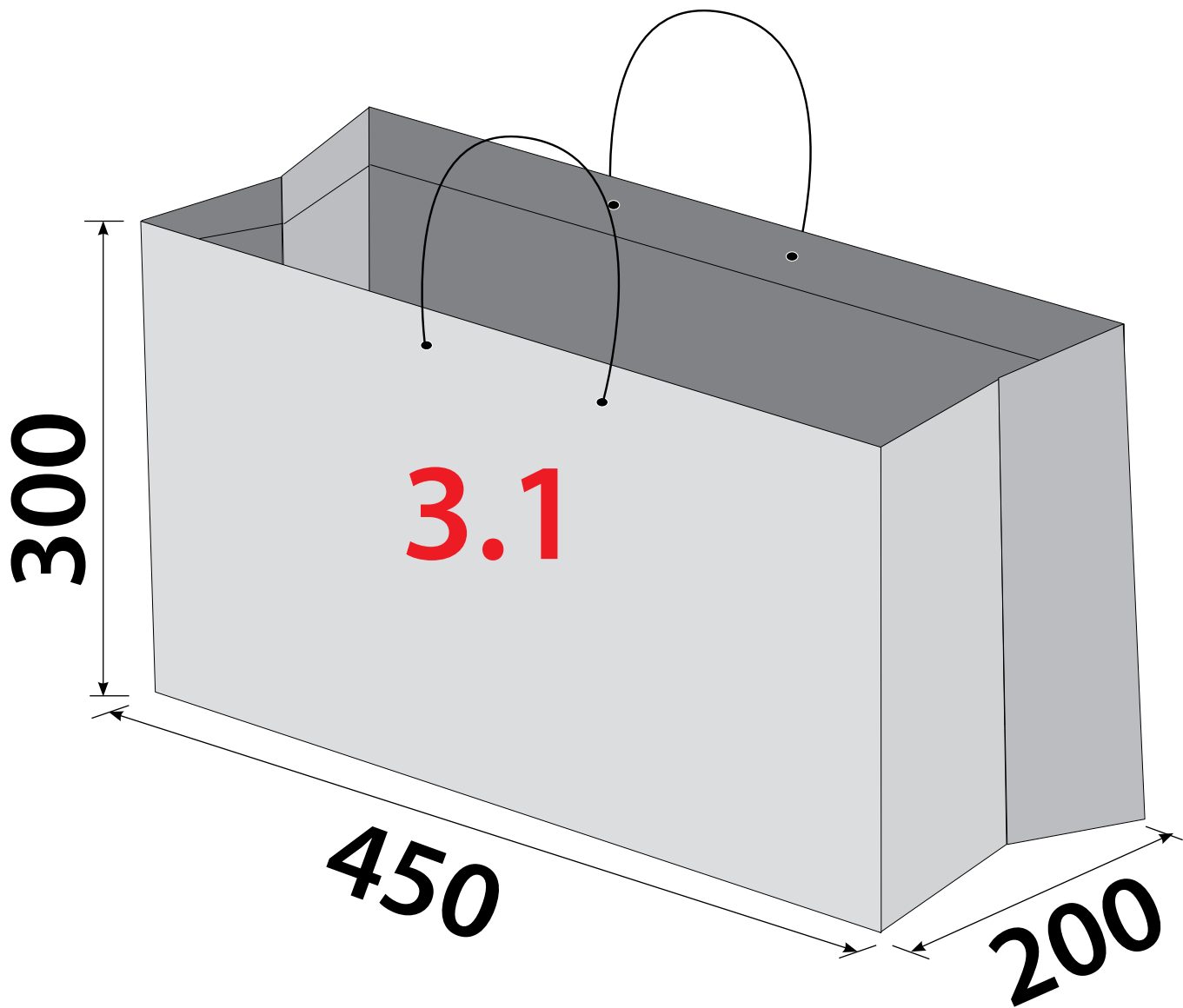
h 500x700x200



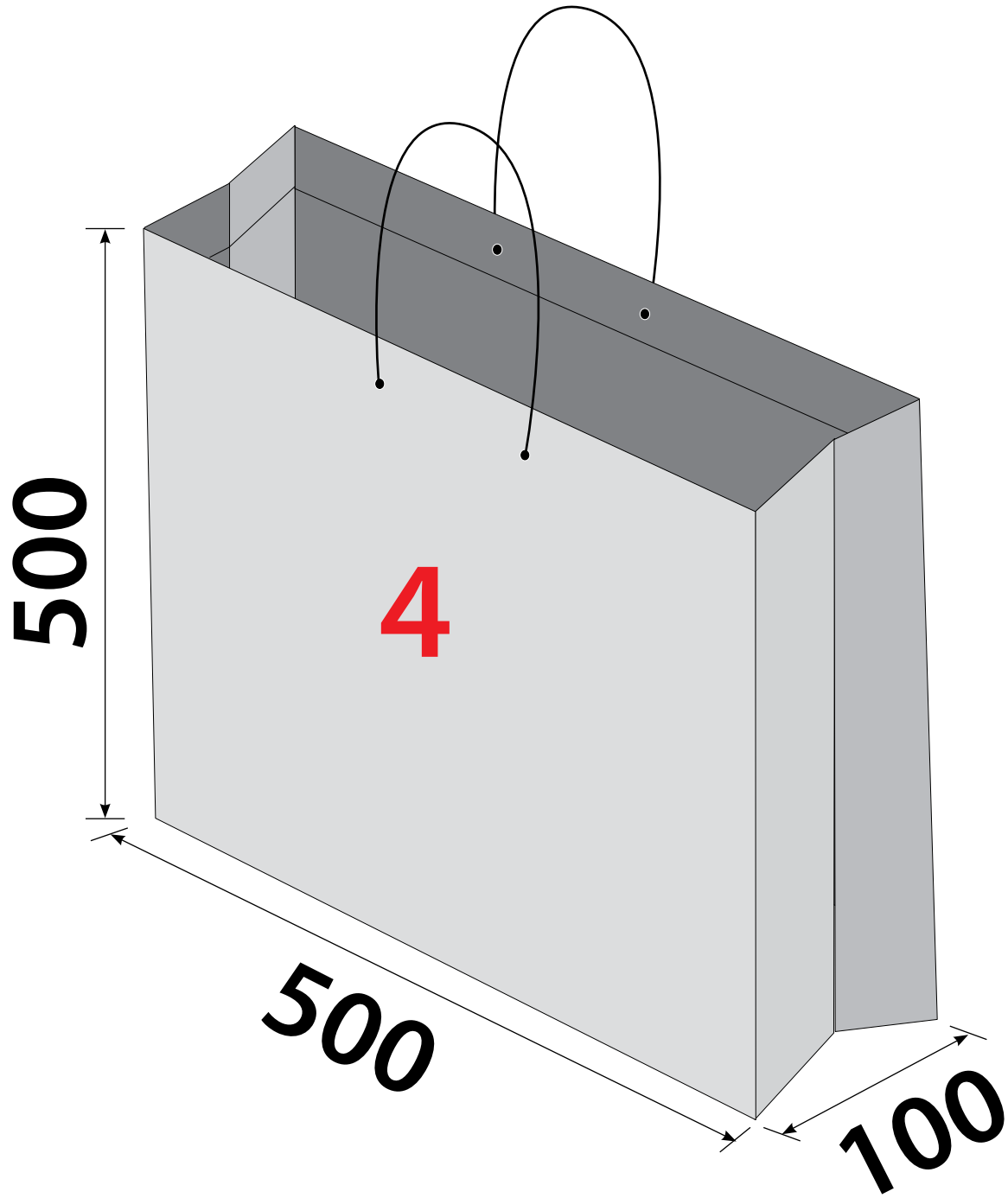
h 600x450x200



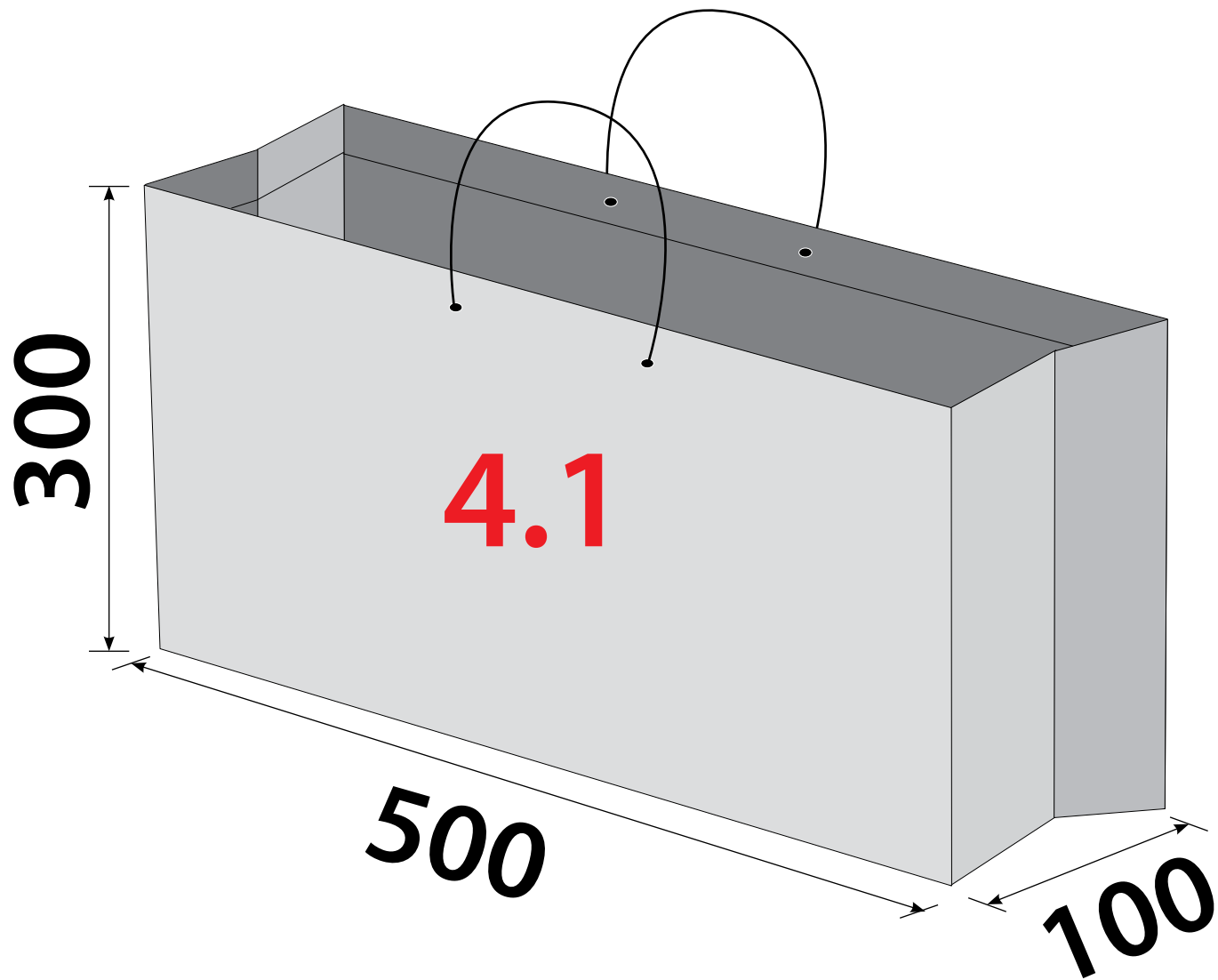
h 450x450x200



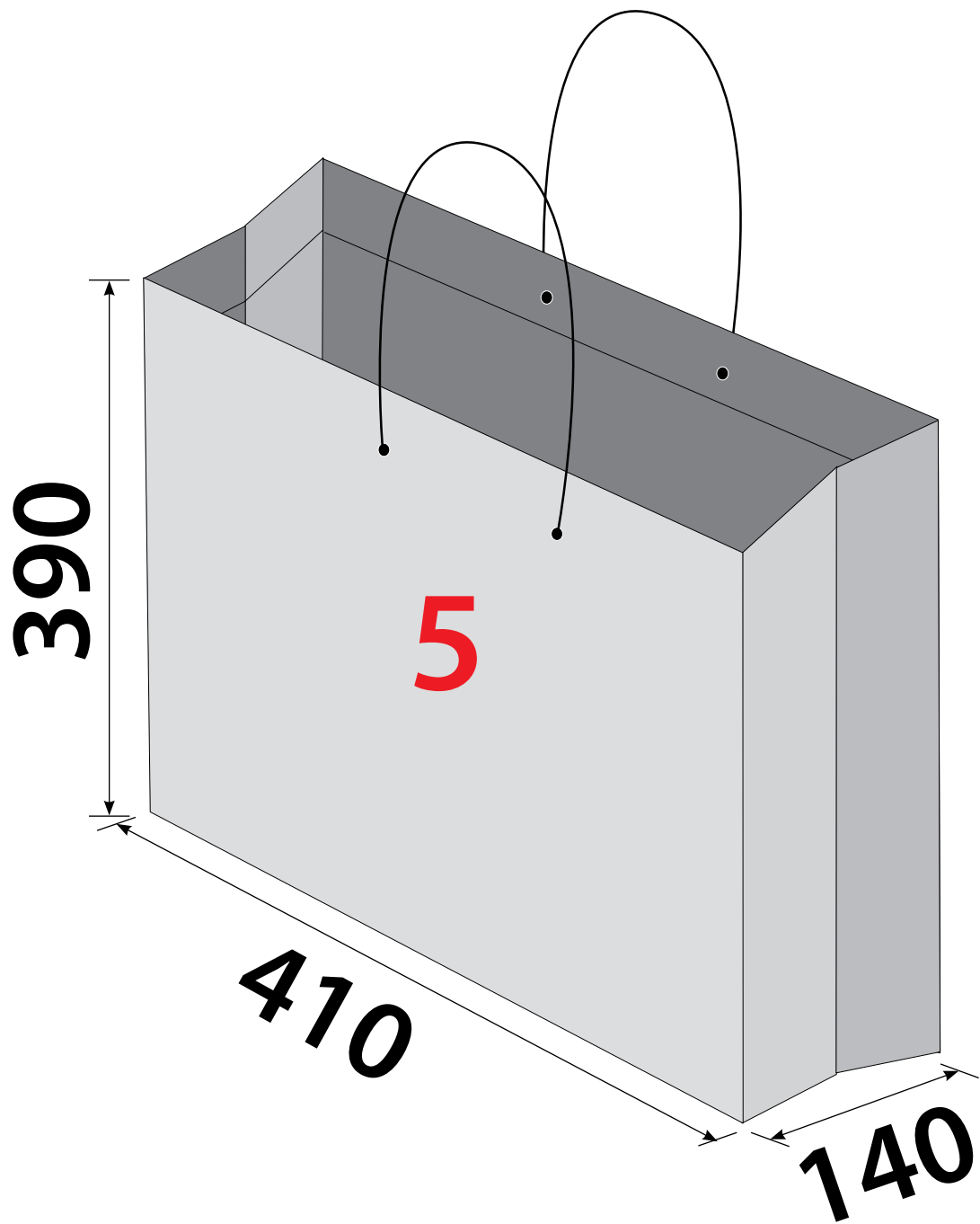
h 300x450x200



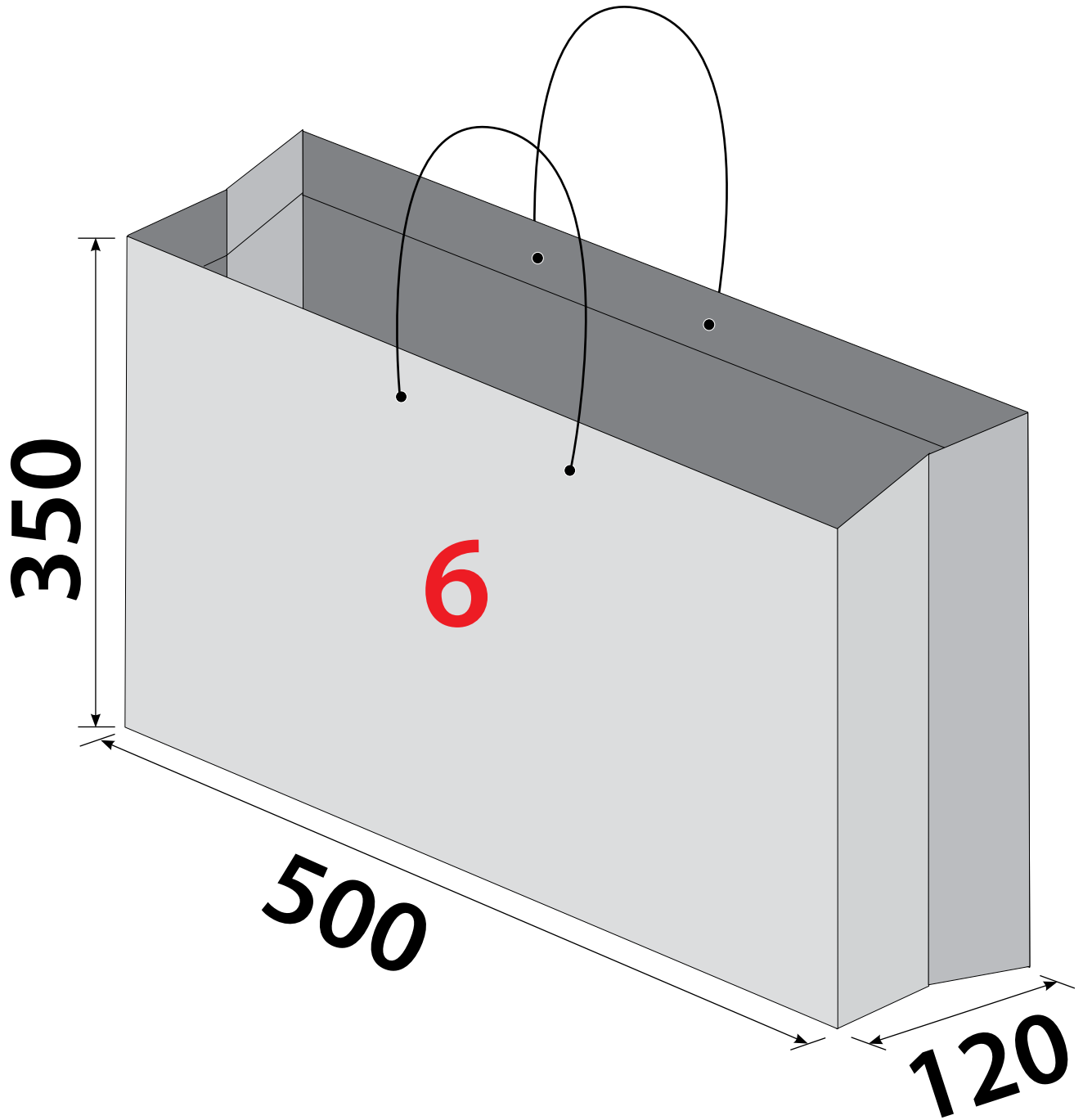
h 500x500x100



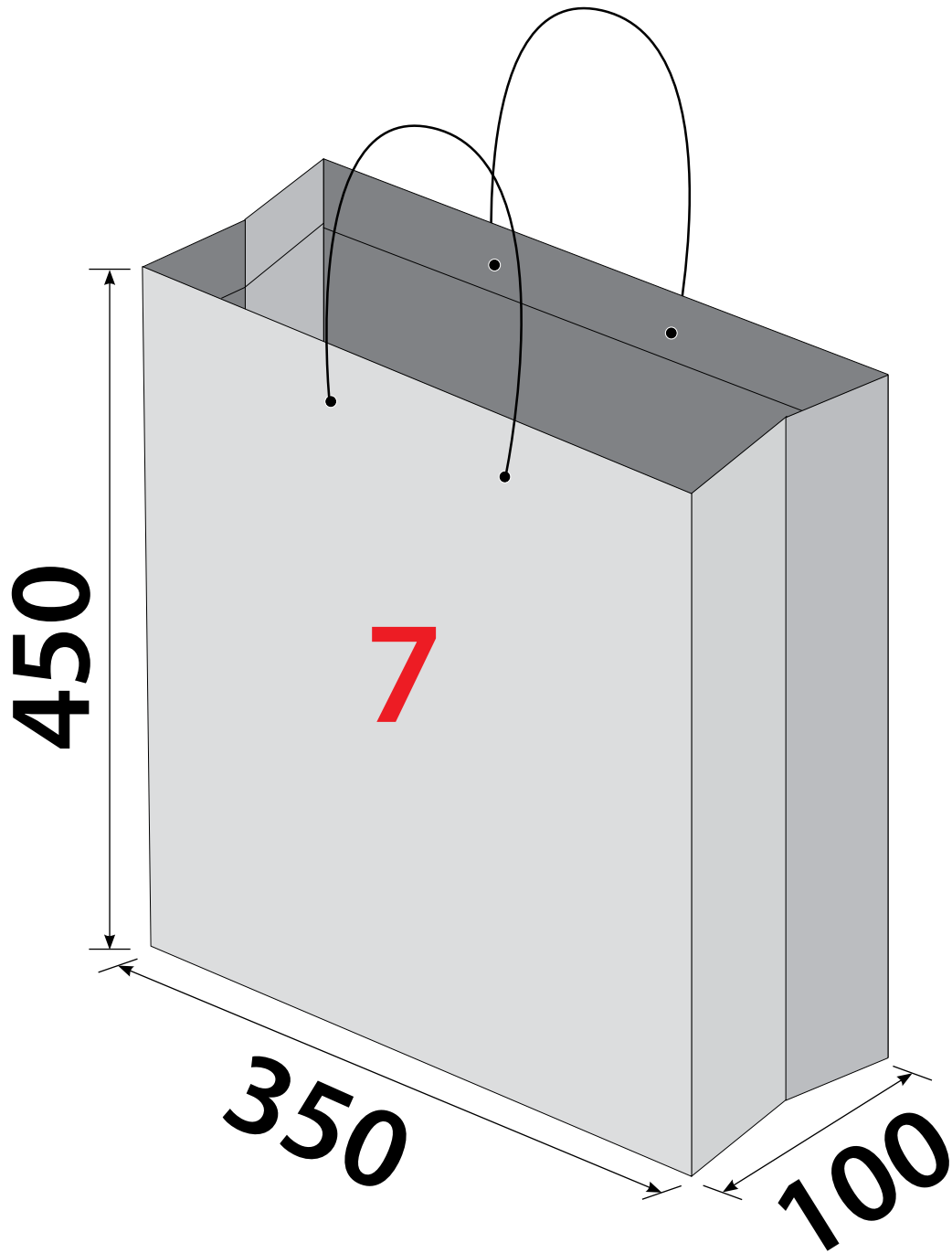
h 300x500x100



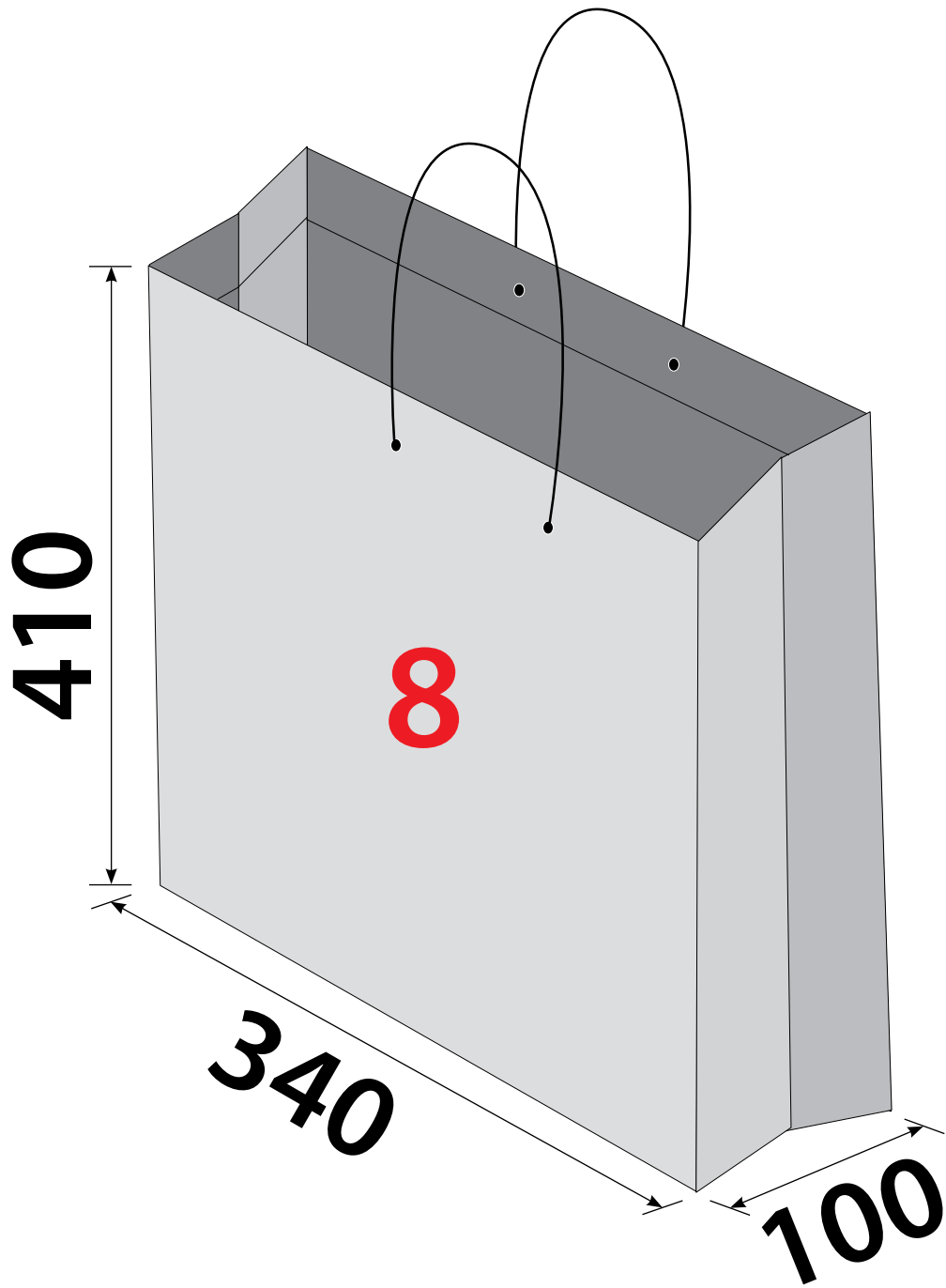
h 390x410x140



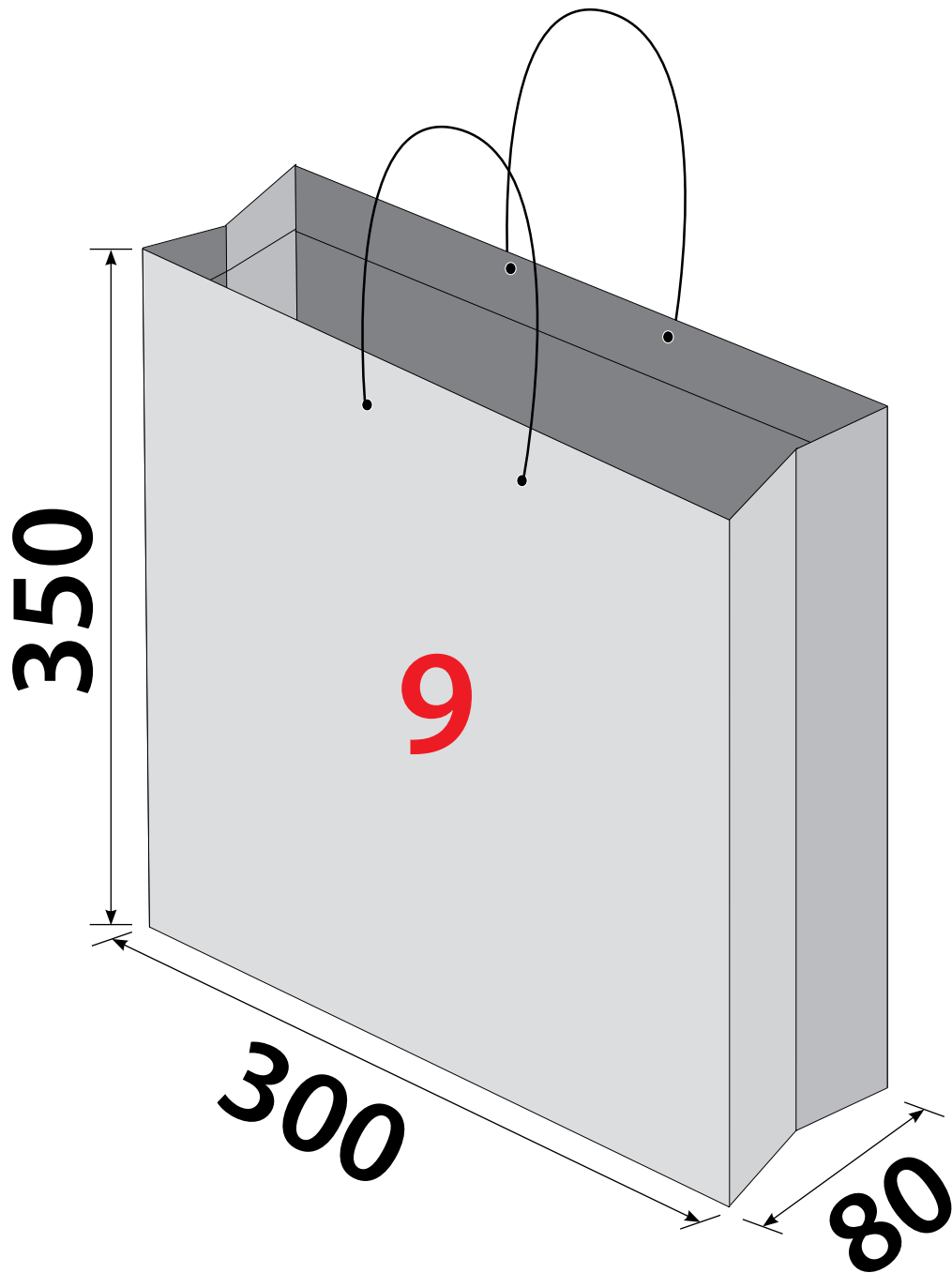
h 350x500x120



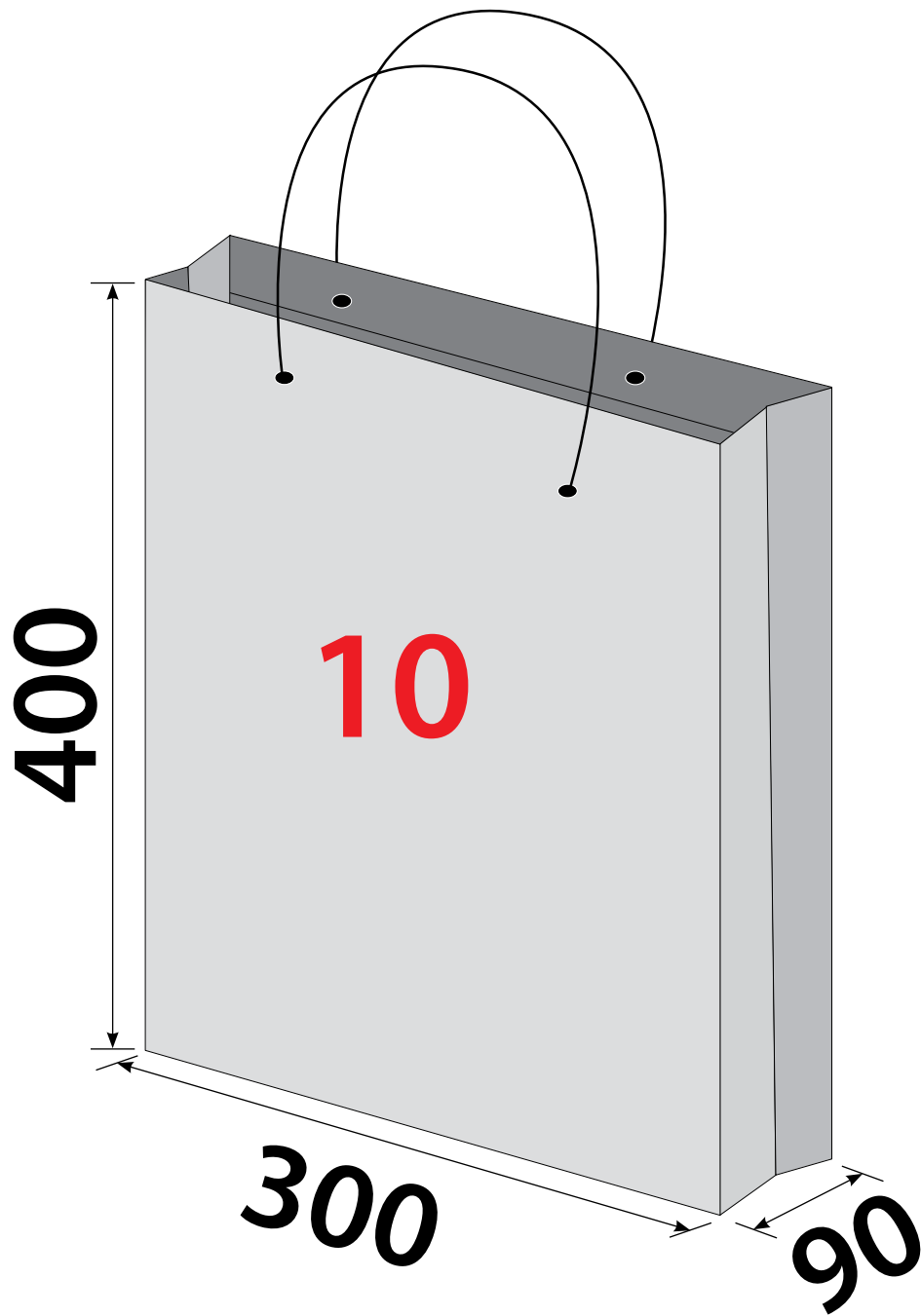
h 450x350x100



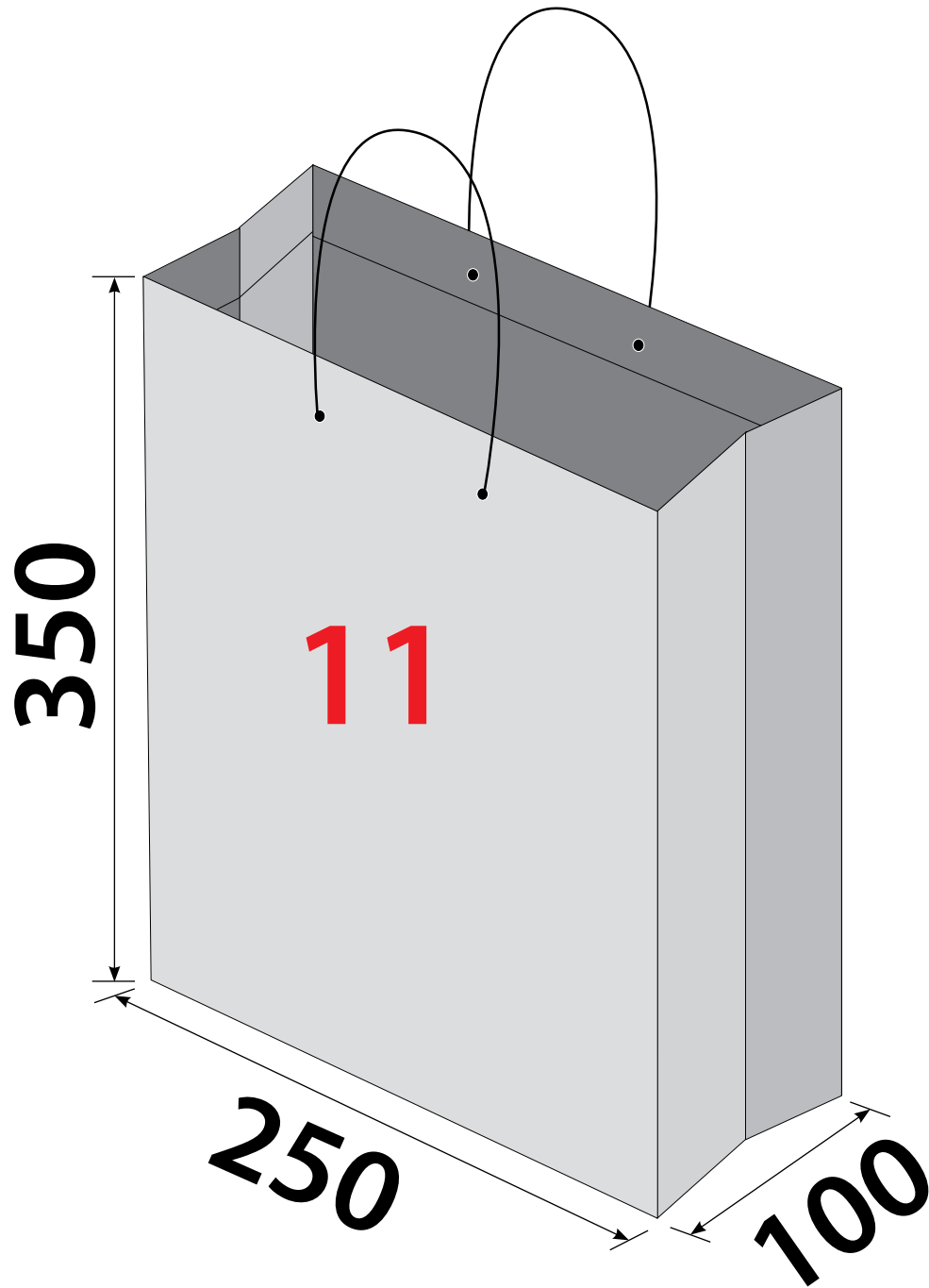
h 410x340x100



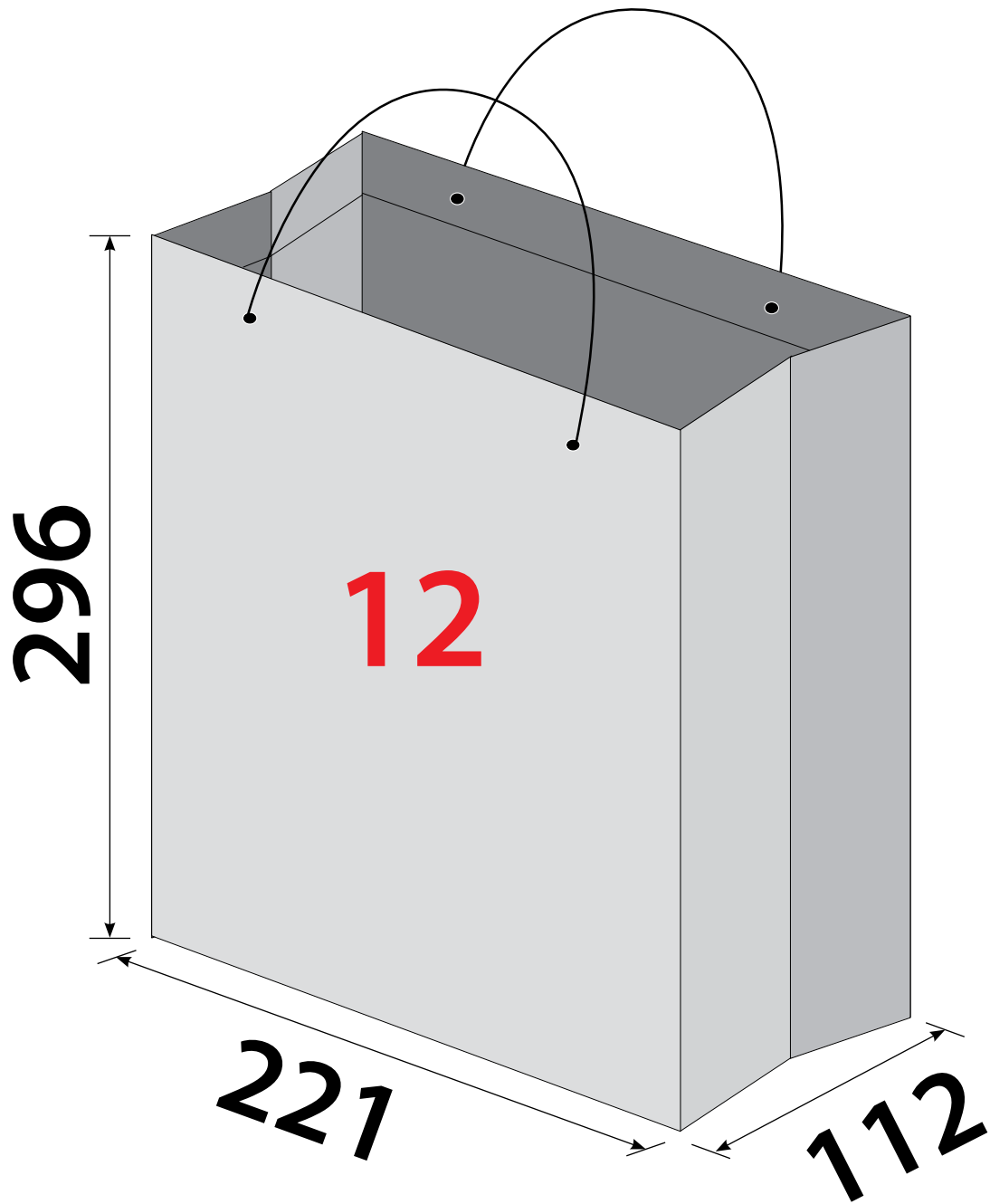
h 350x300x80



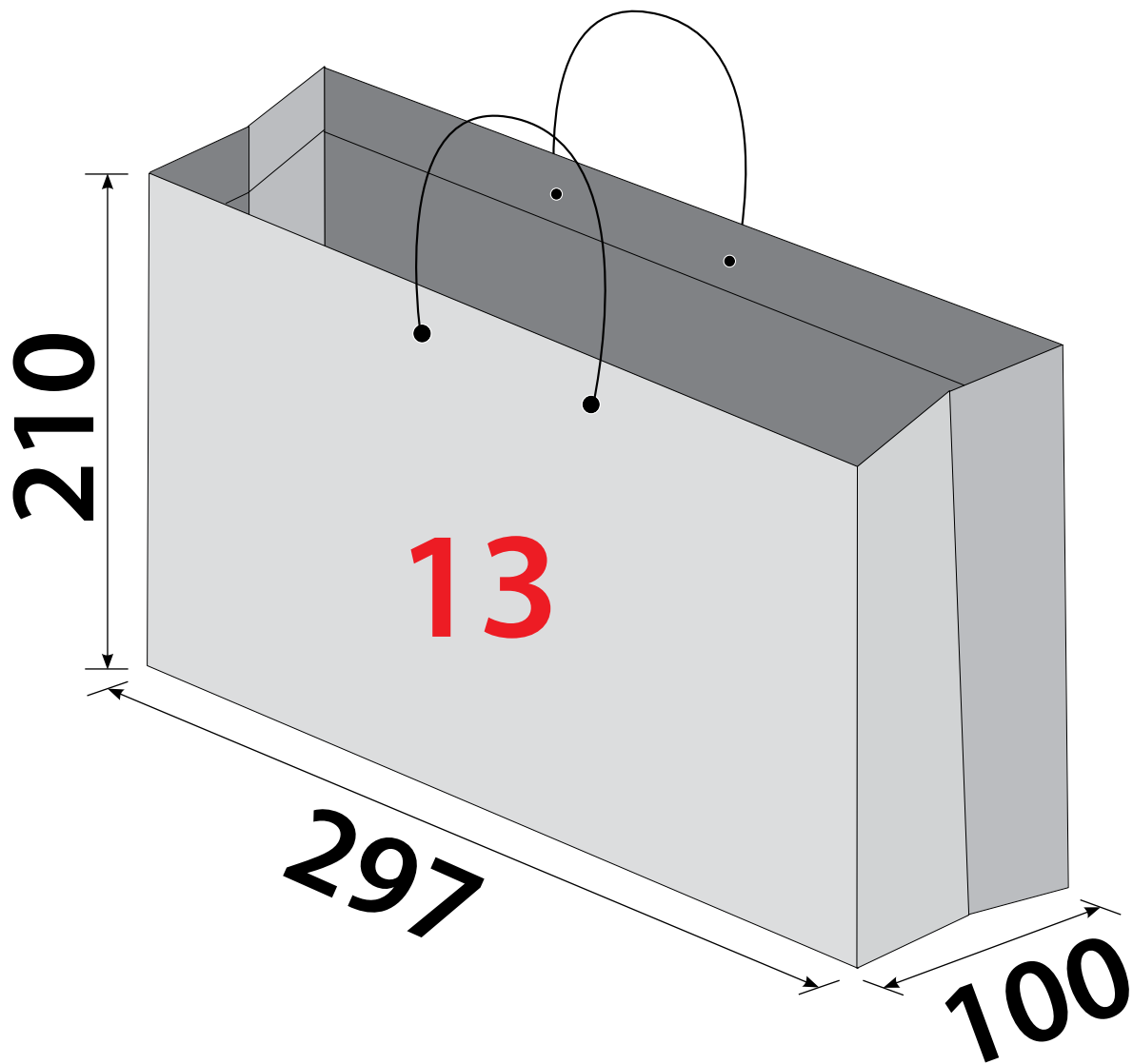
h 400x300x90



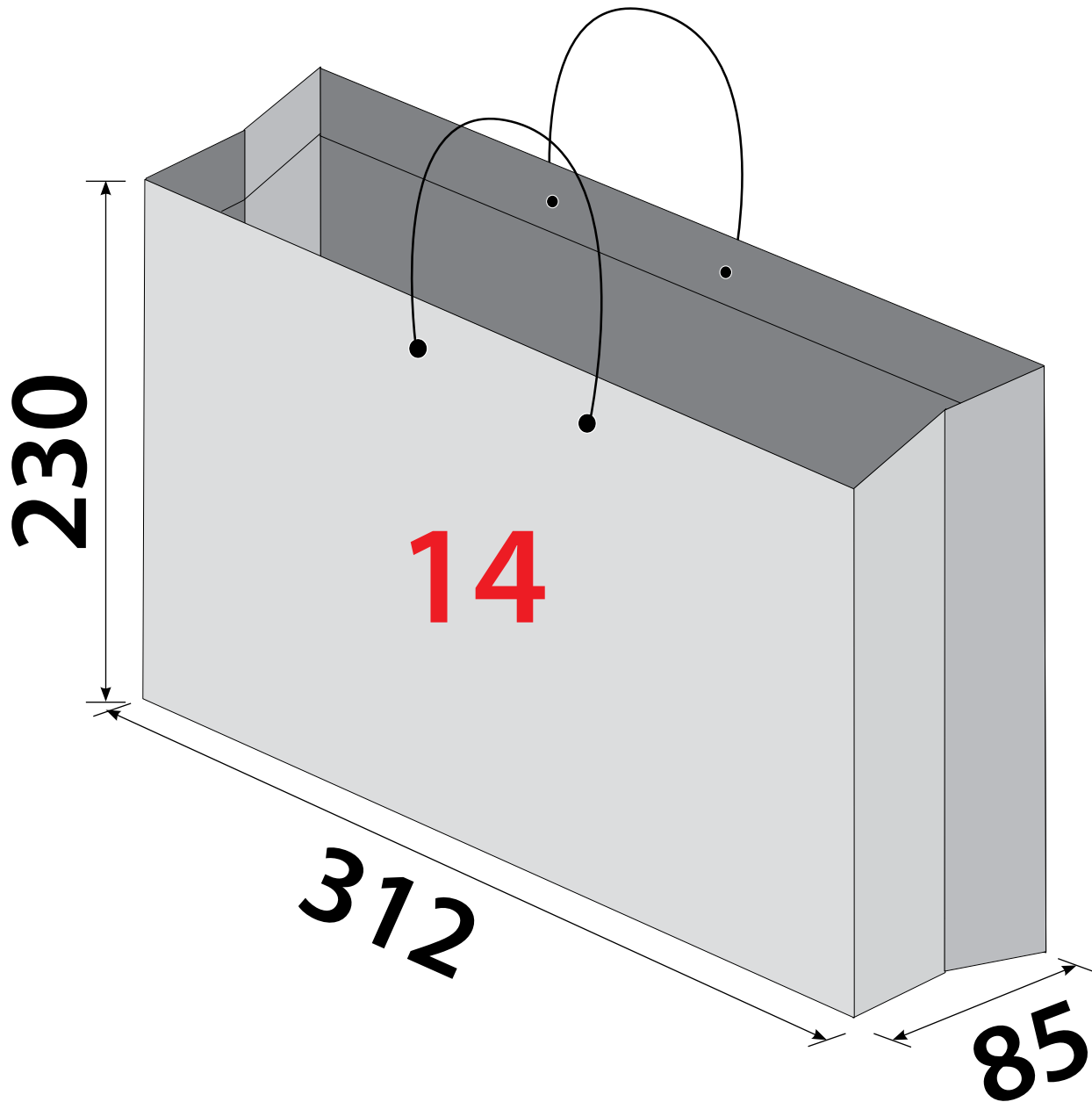
h 350x250x100



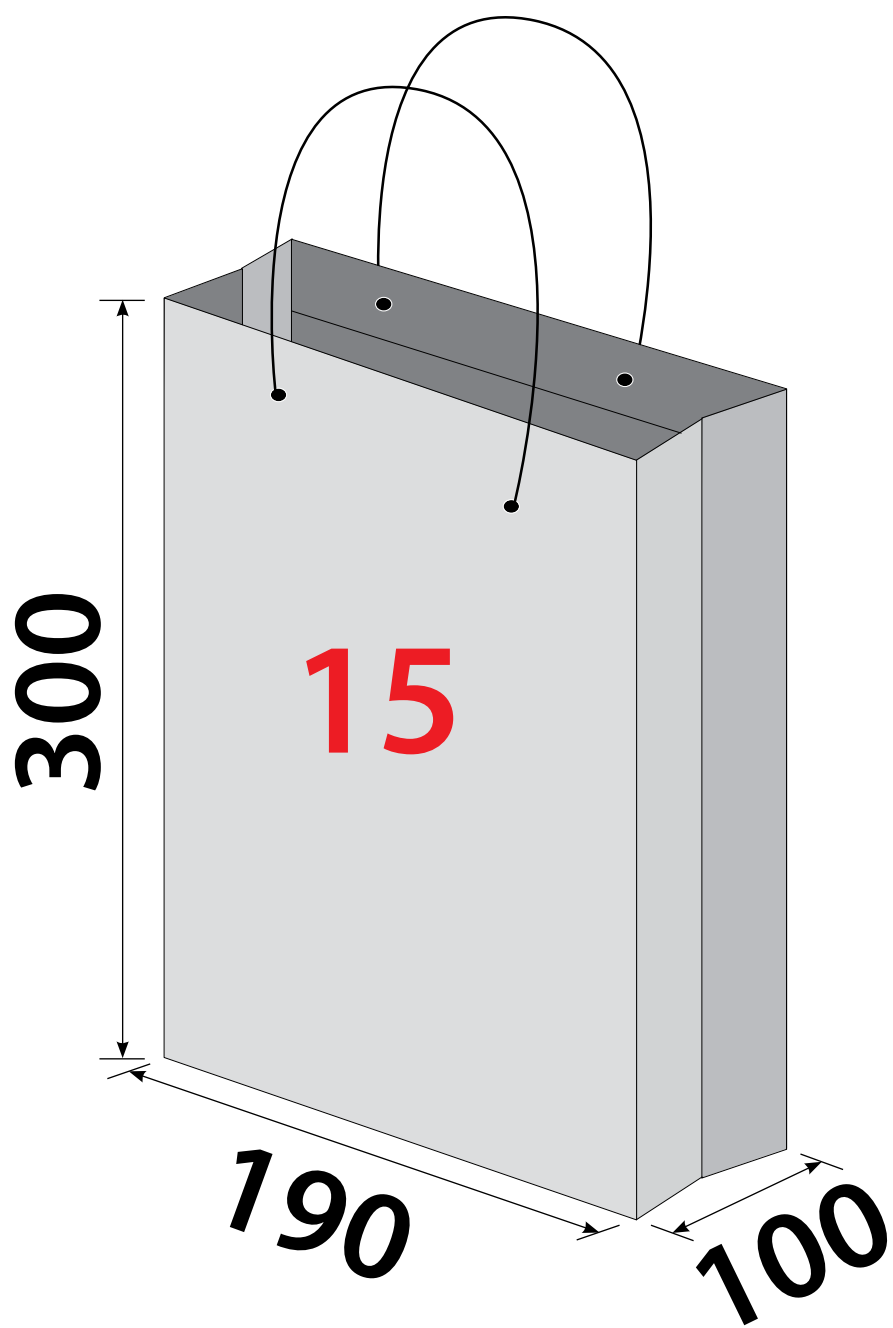
h 296x221x112



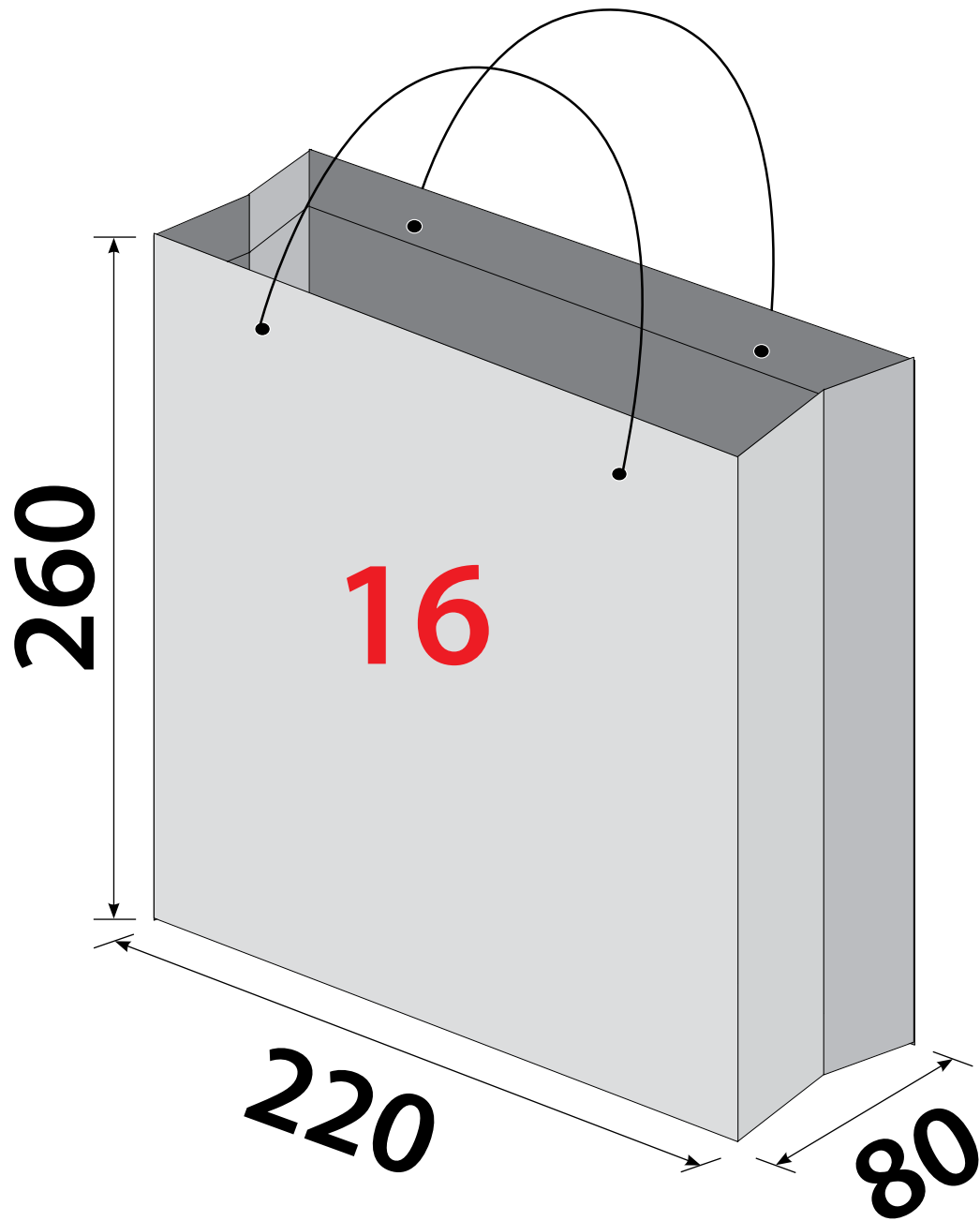
h 210x297x100



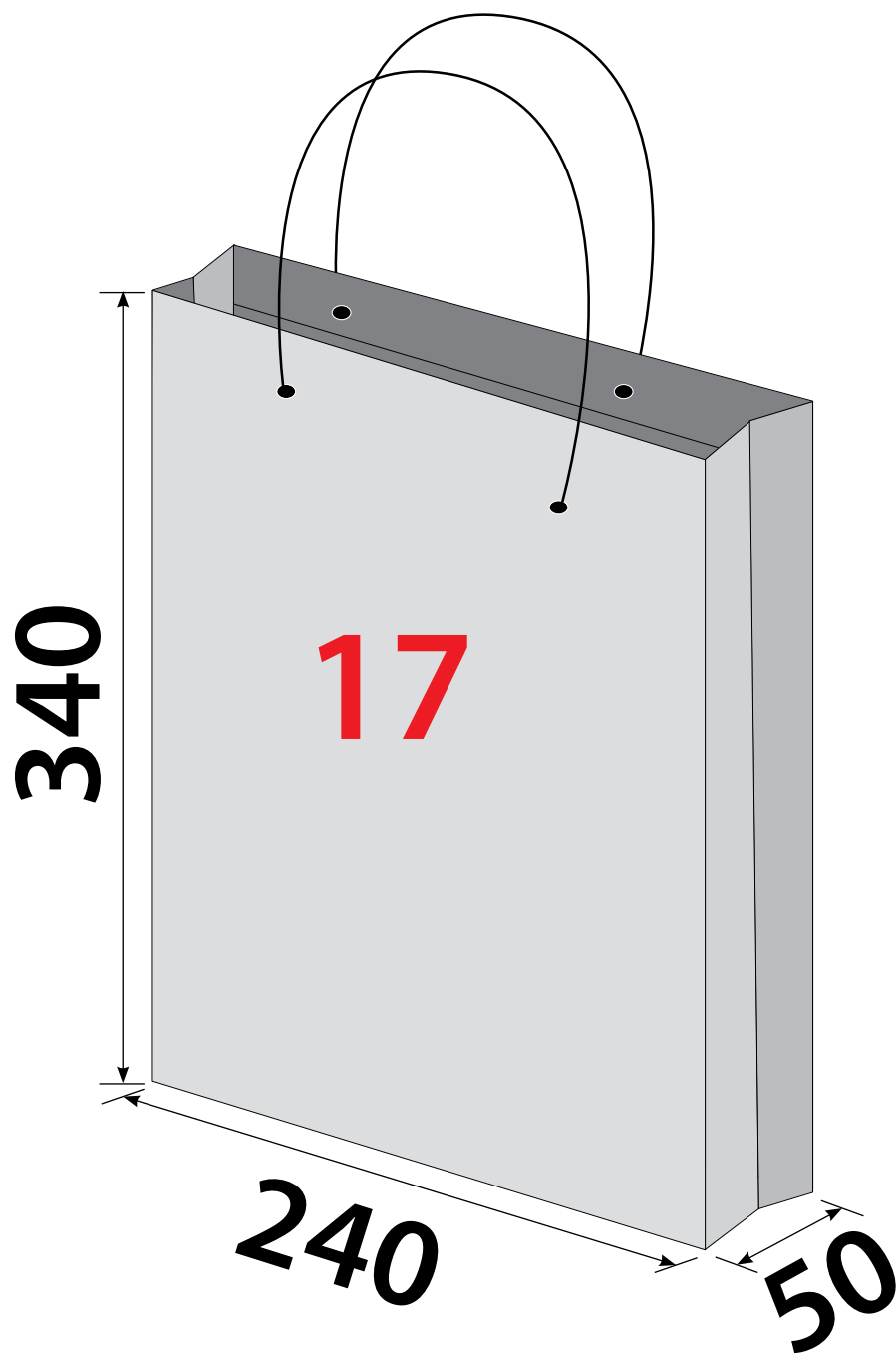
h 230x312x85



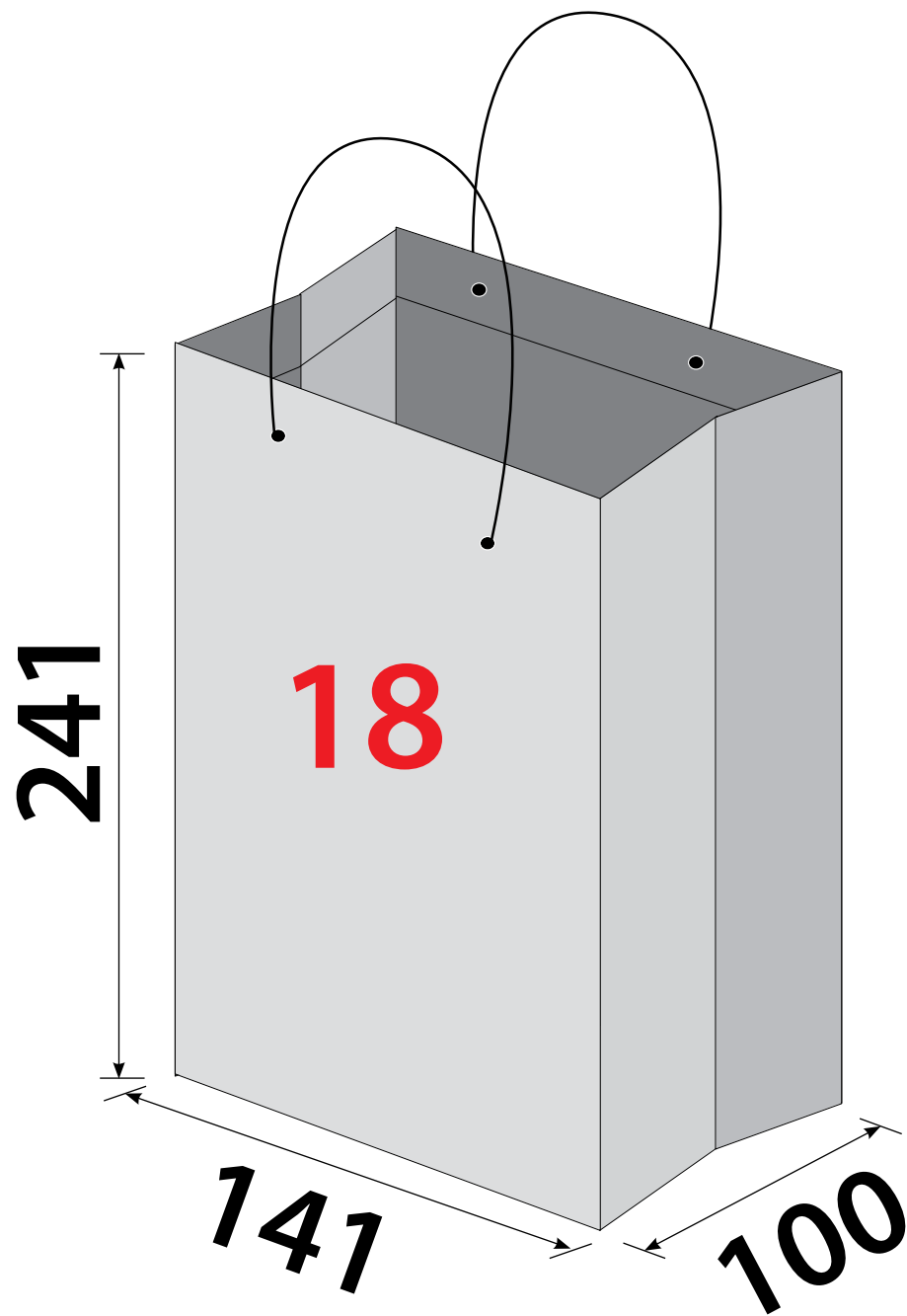
h 300x190x100



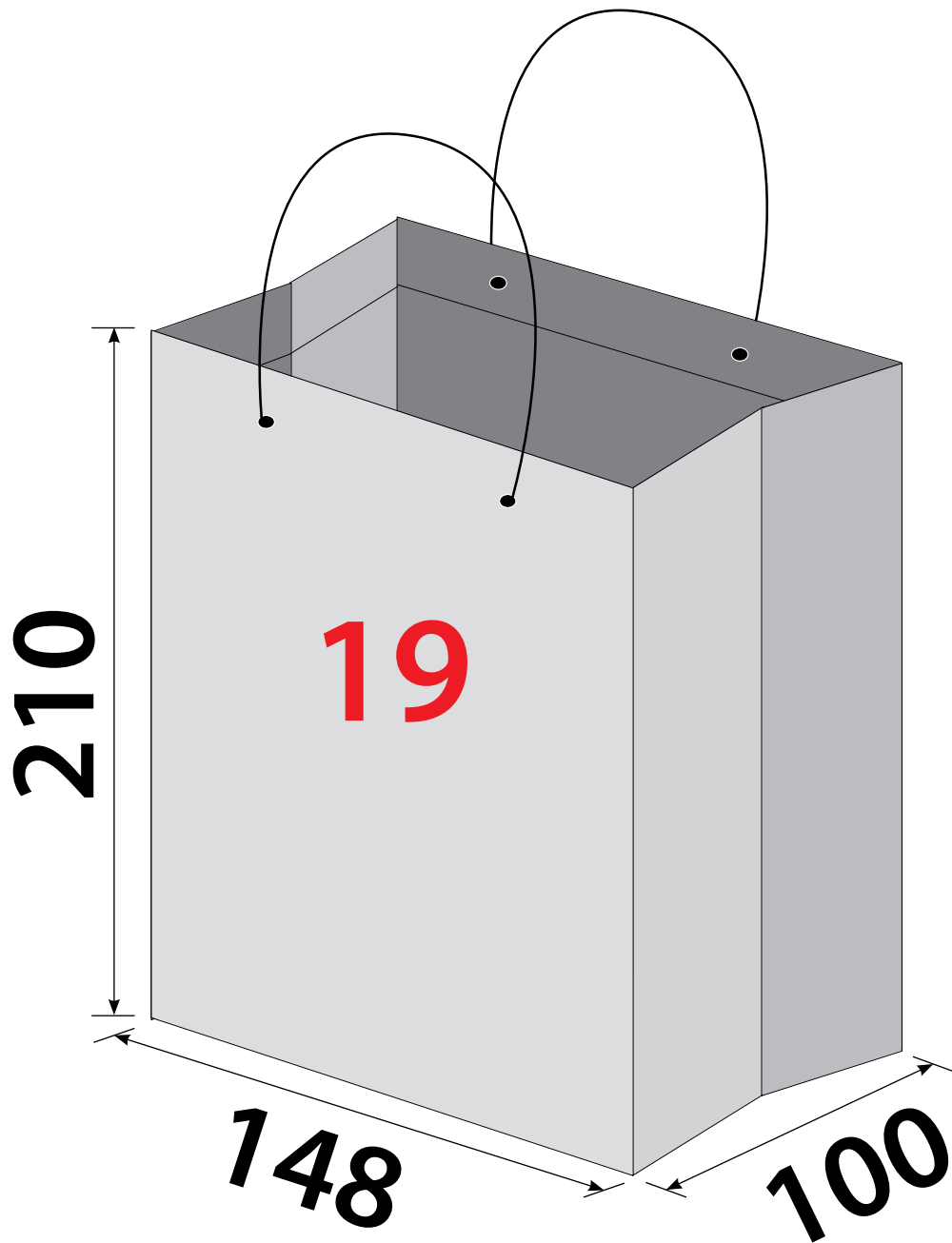
h 260x220x80



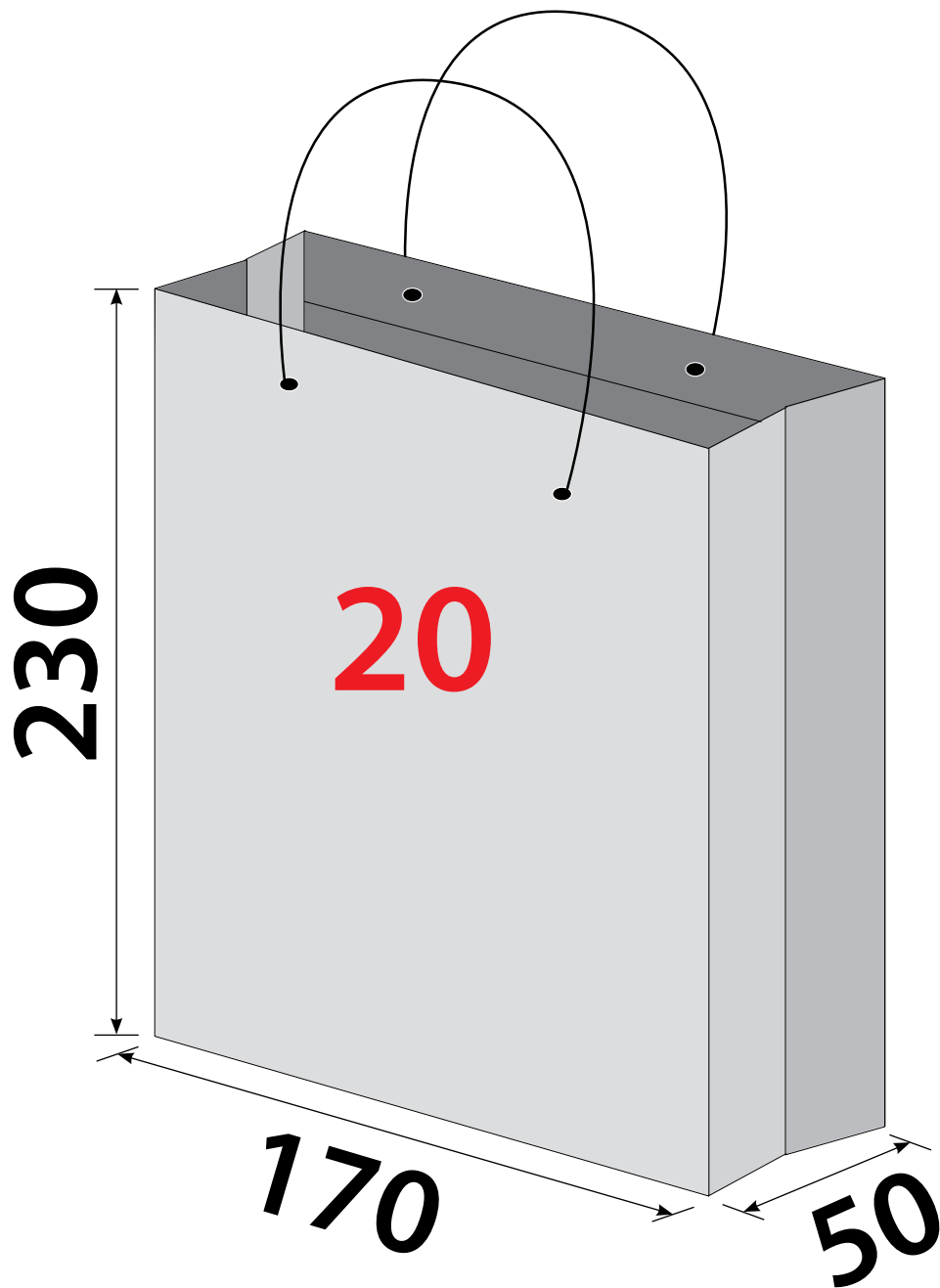
h 340x240x50



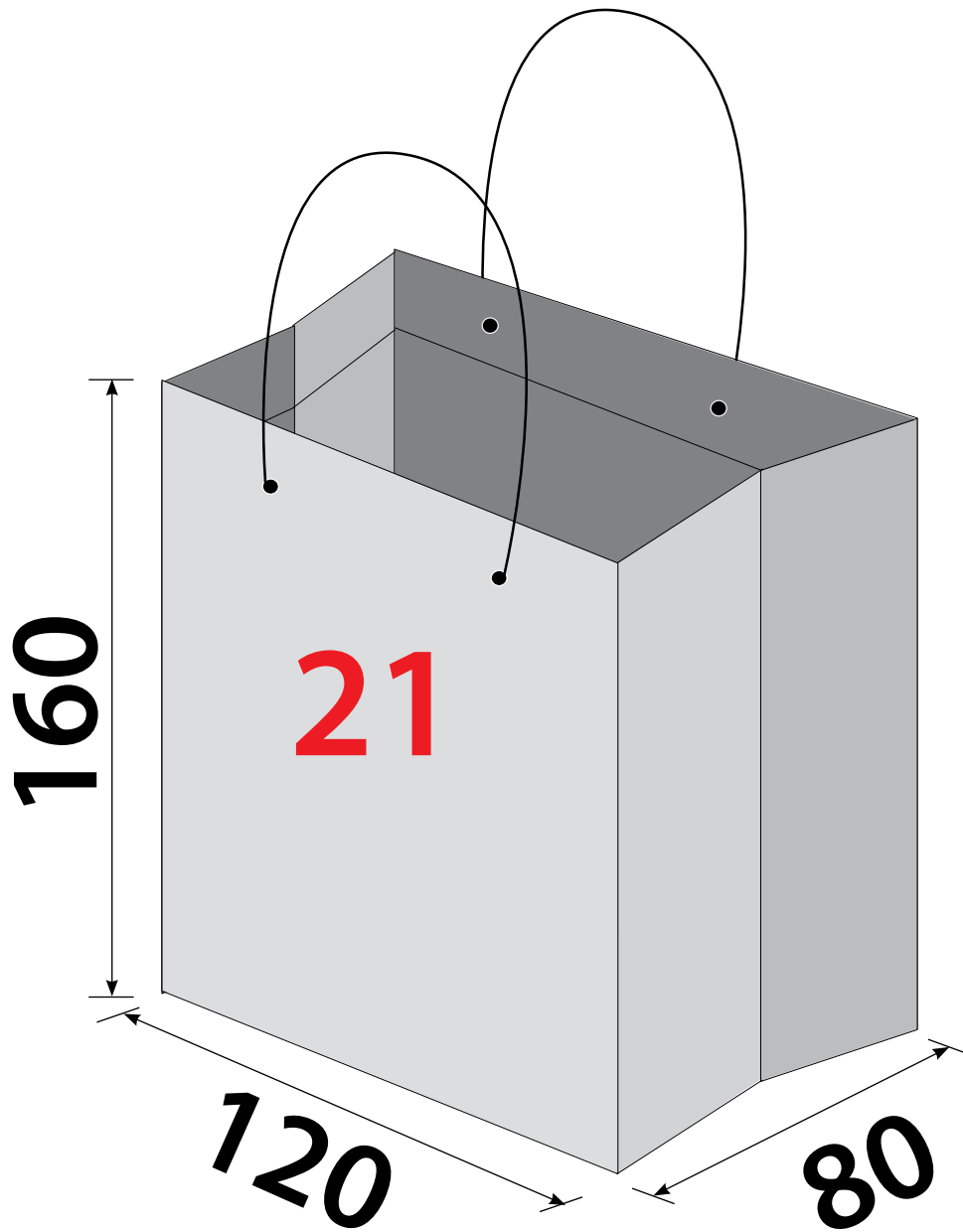
h 241x141x100



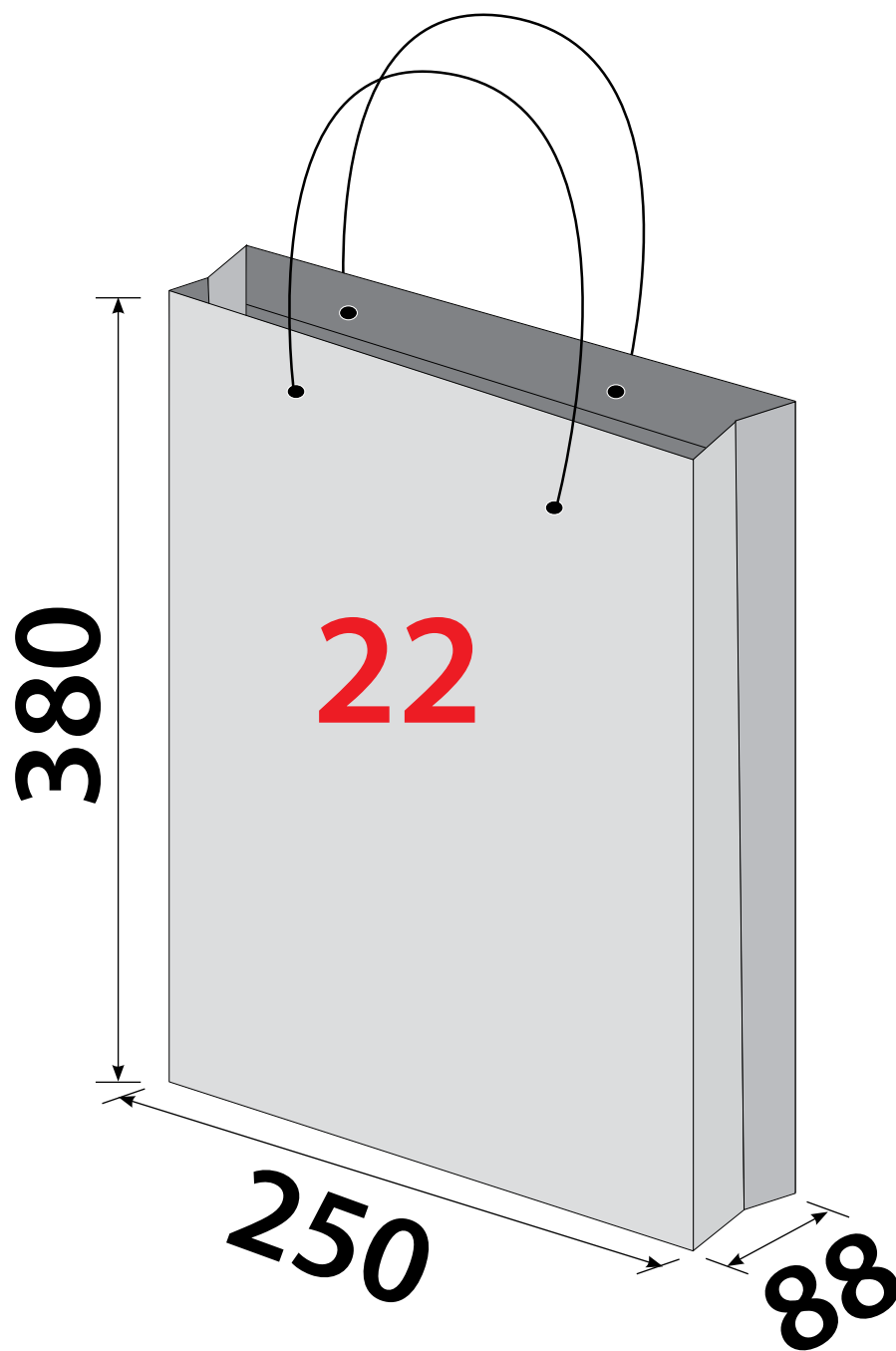
h 210x148x100



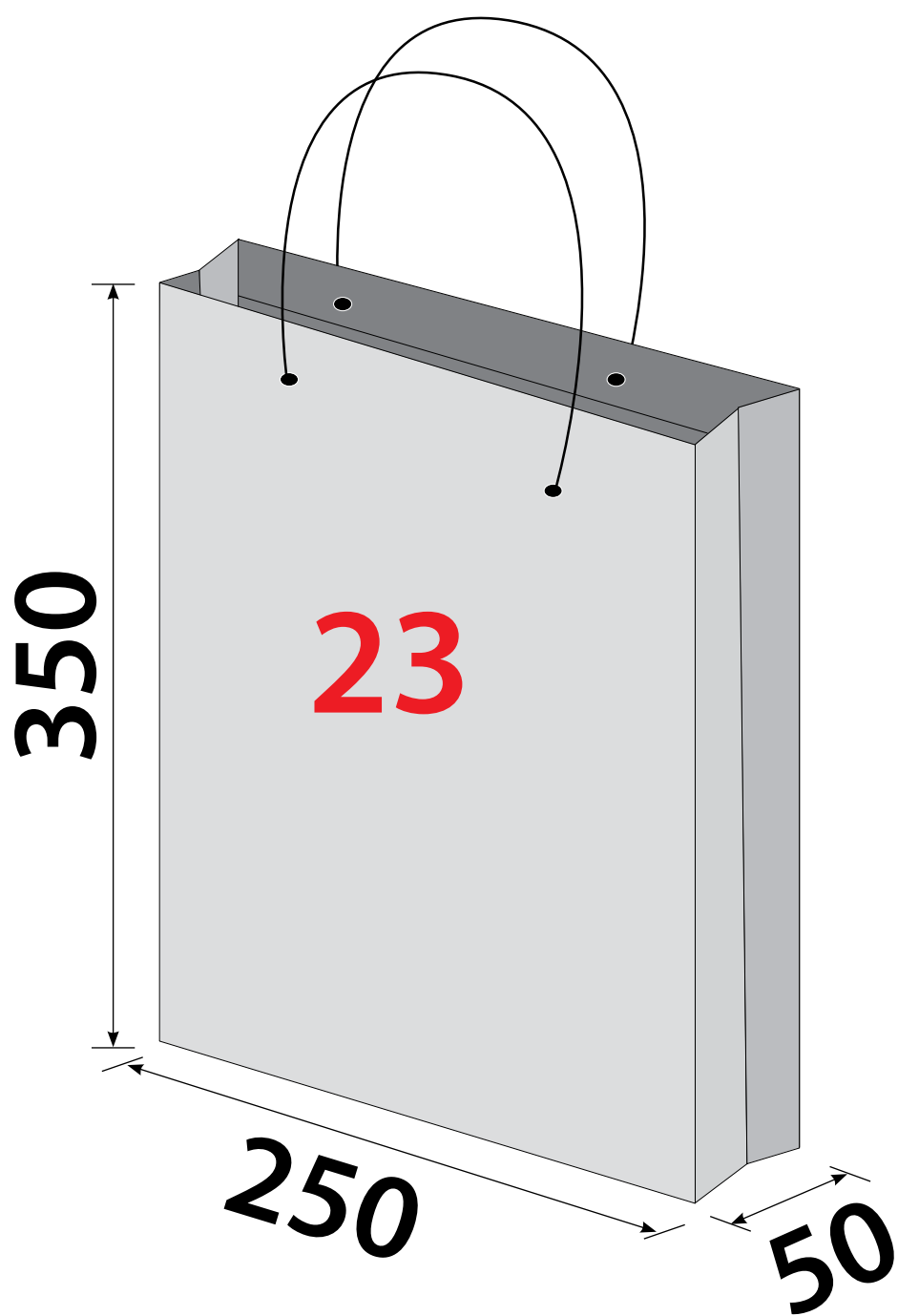
h 230x170x50



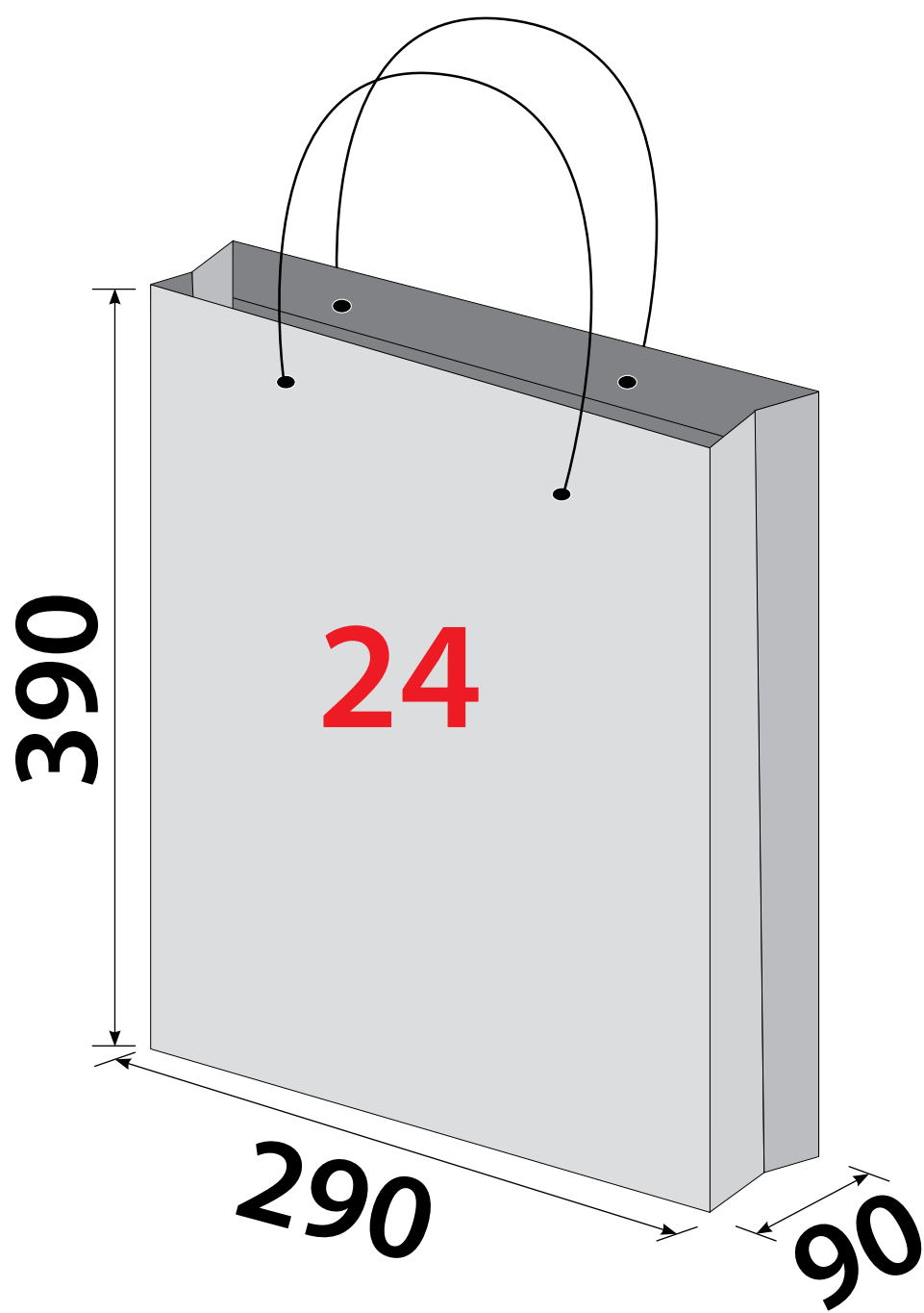
h 160x120x80



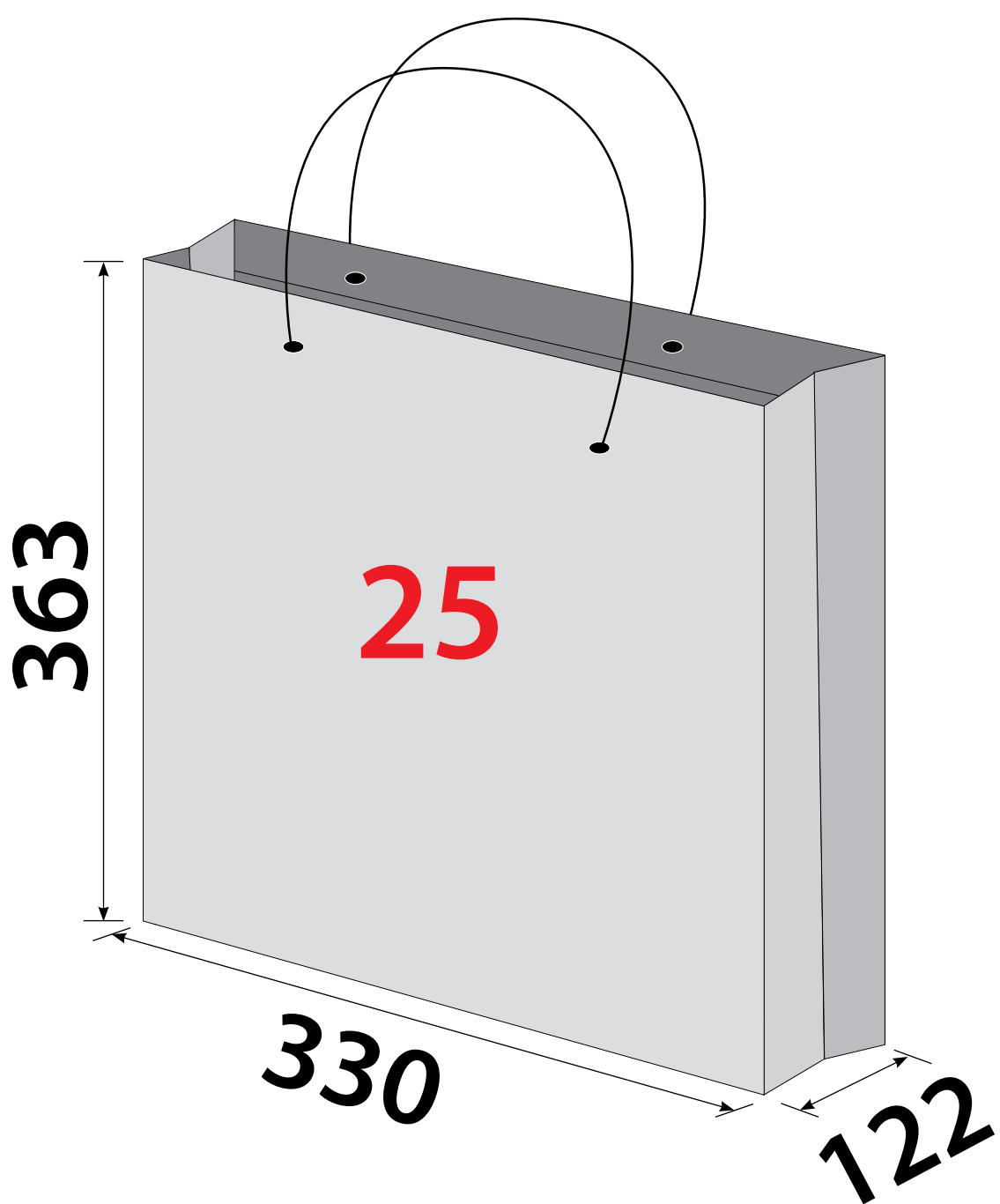
h 380x250x88



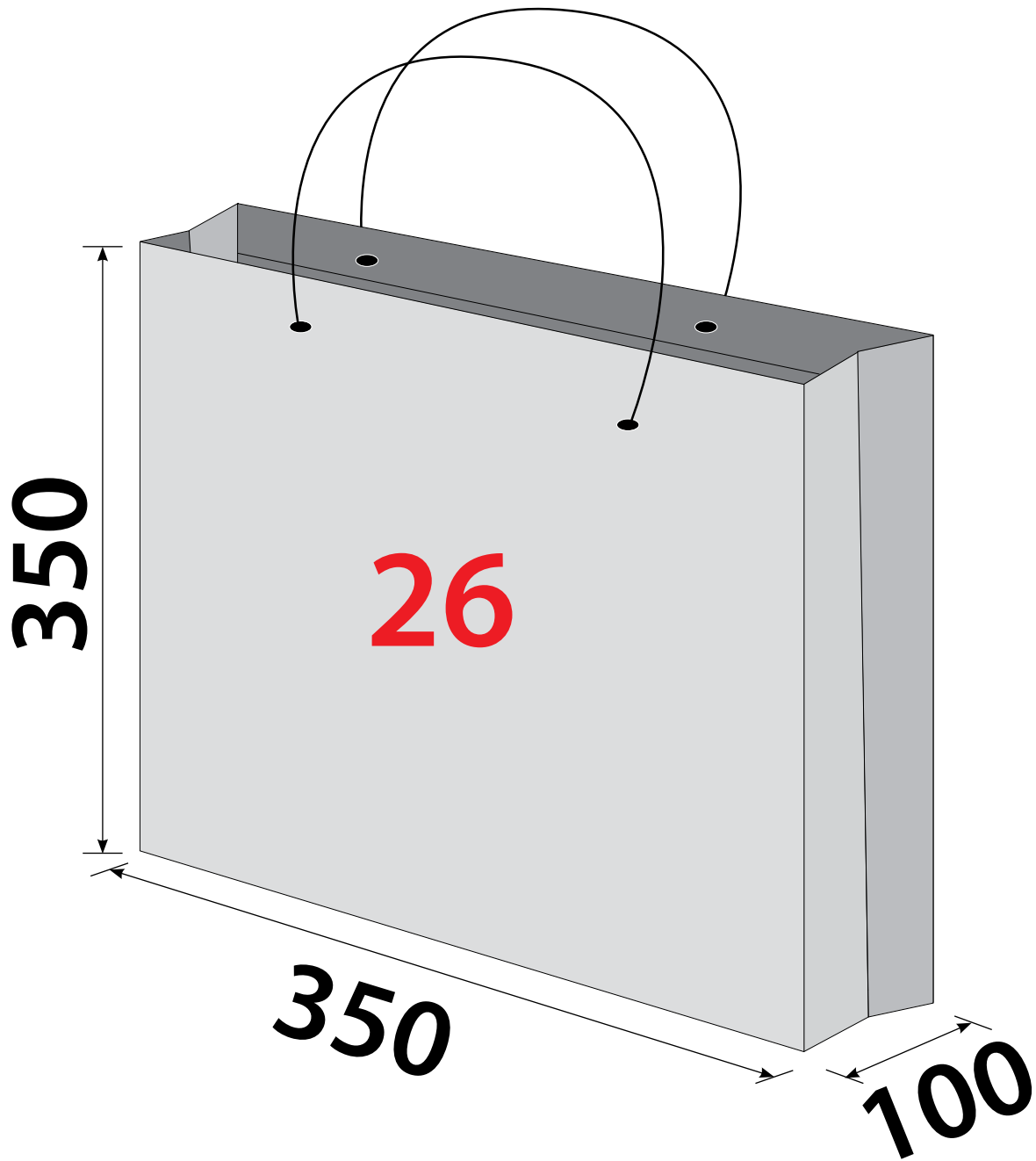
h 350x250x50



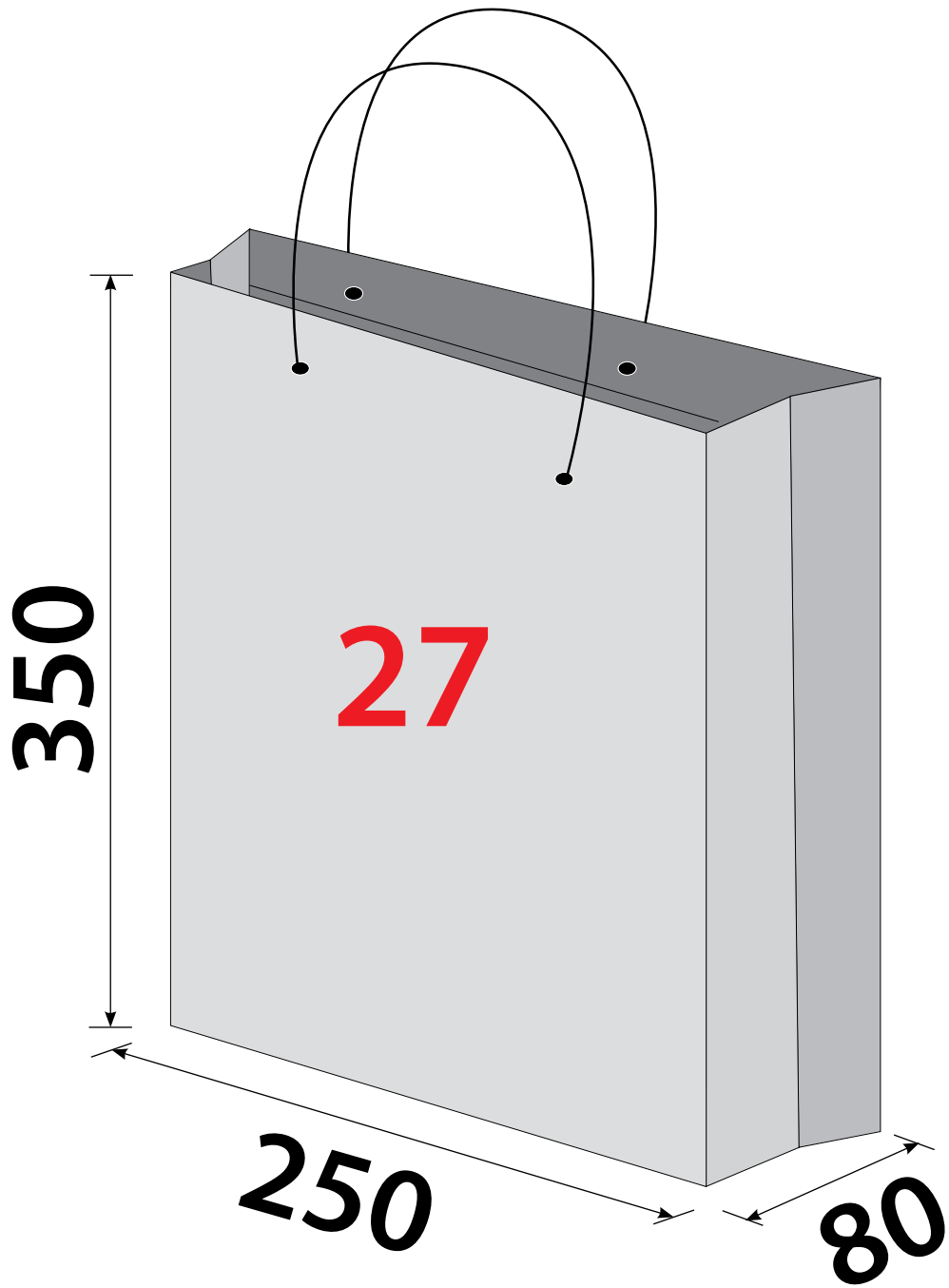
h 390x290x90



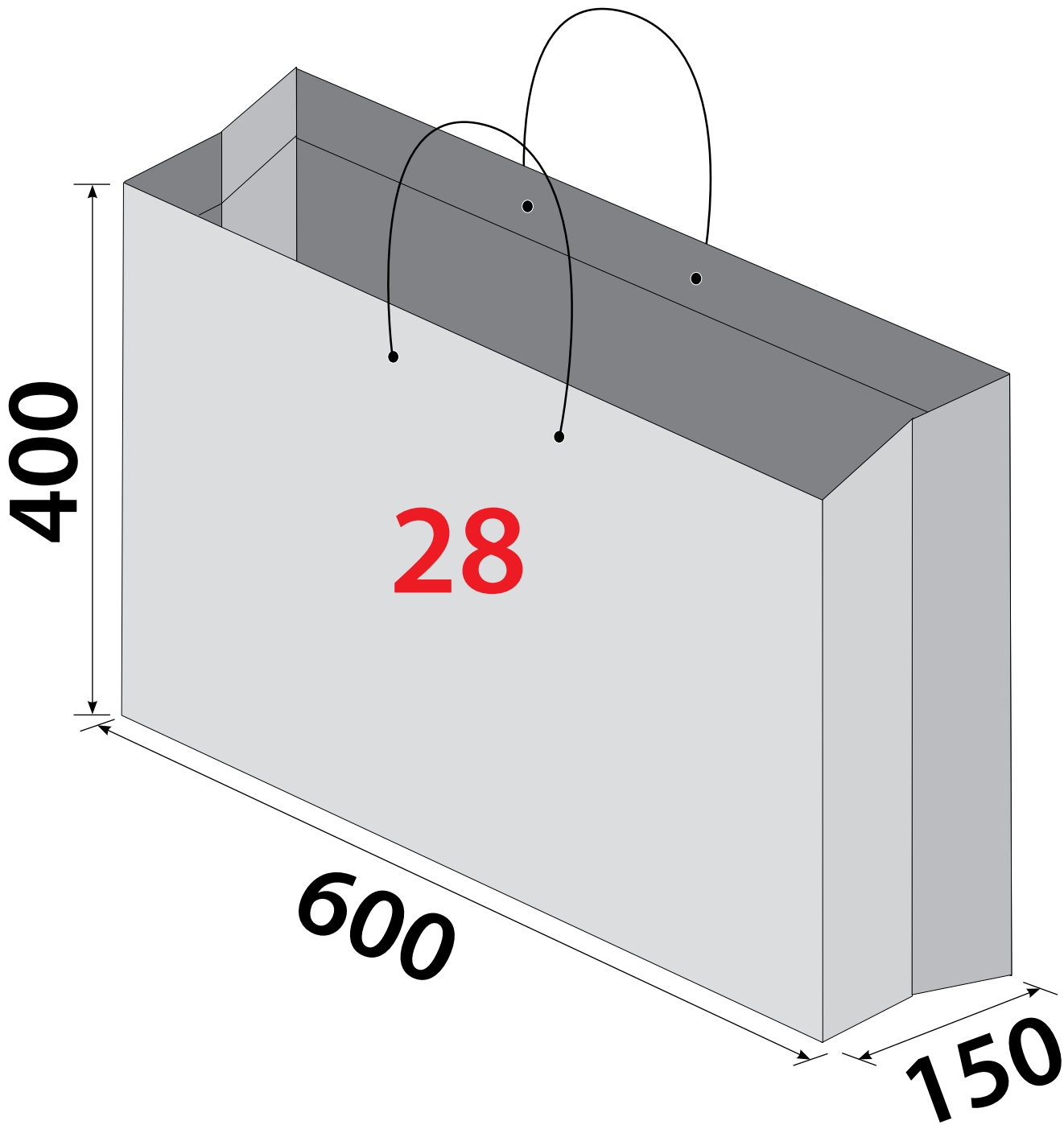
h 363x330x122



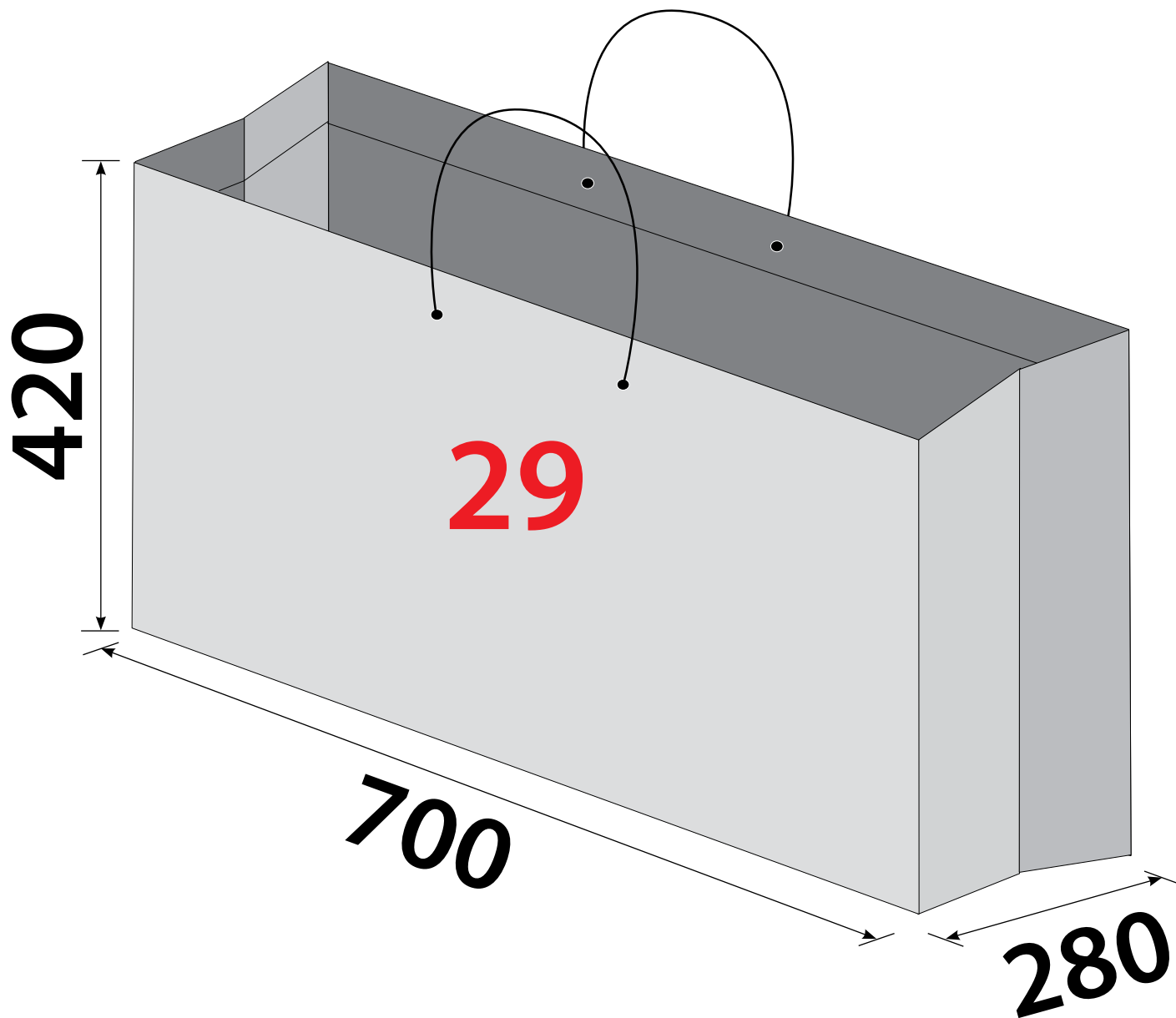
h 350x350x100



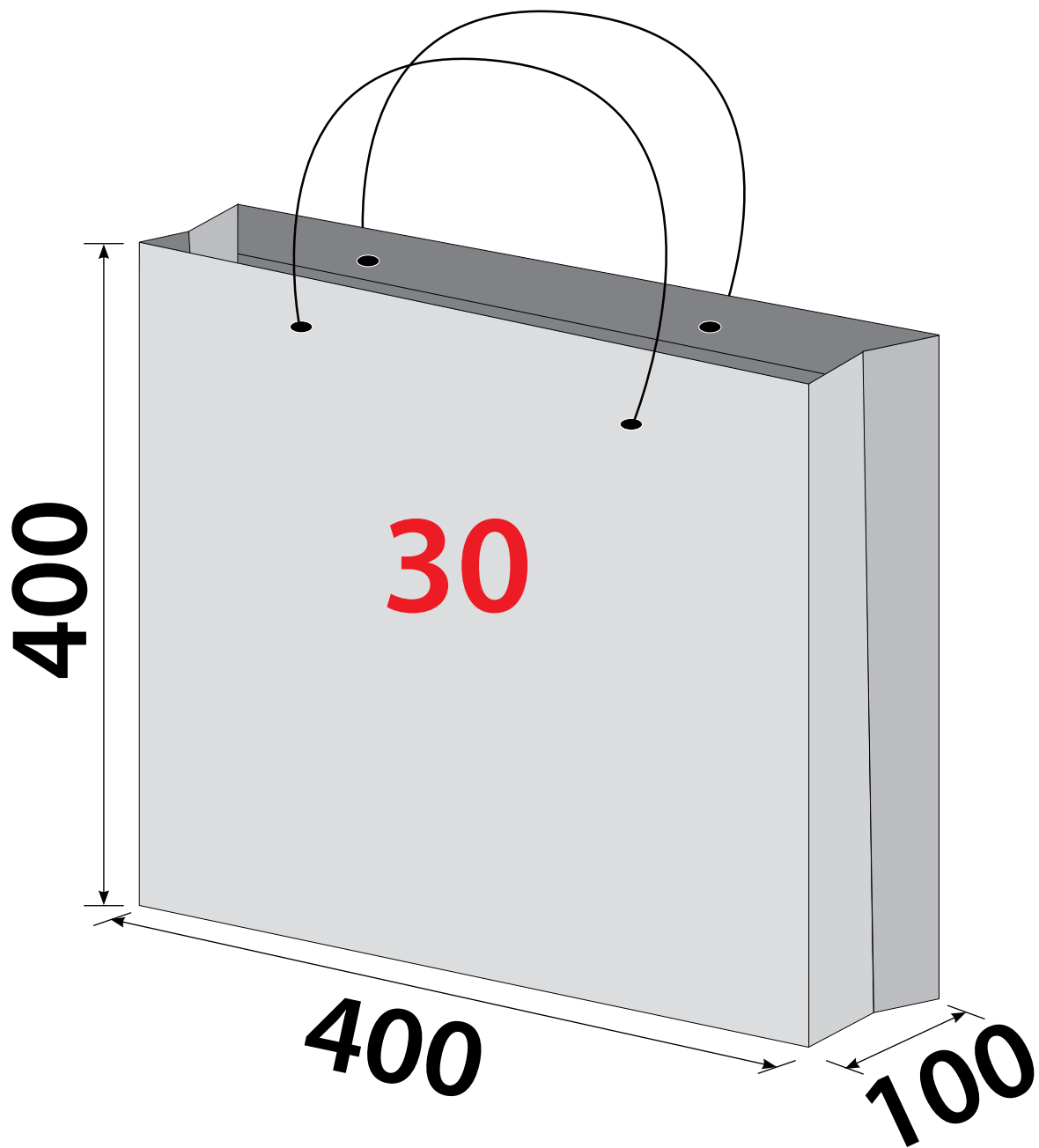
h 350x250x80



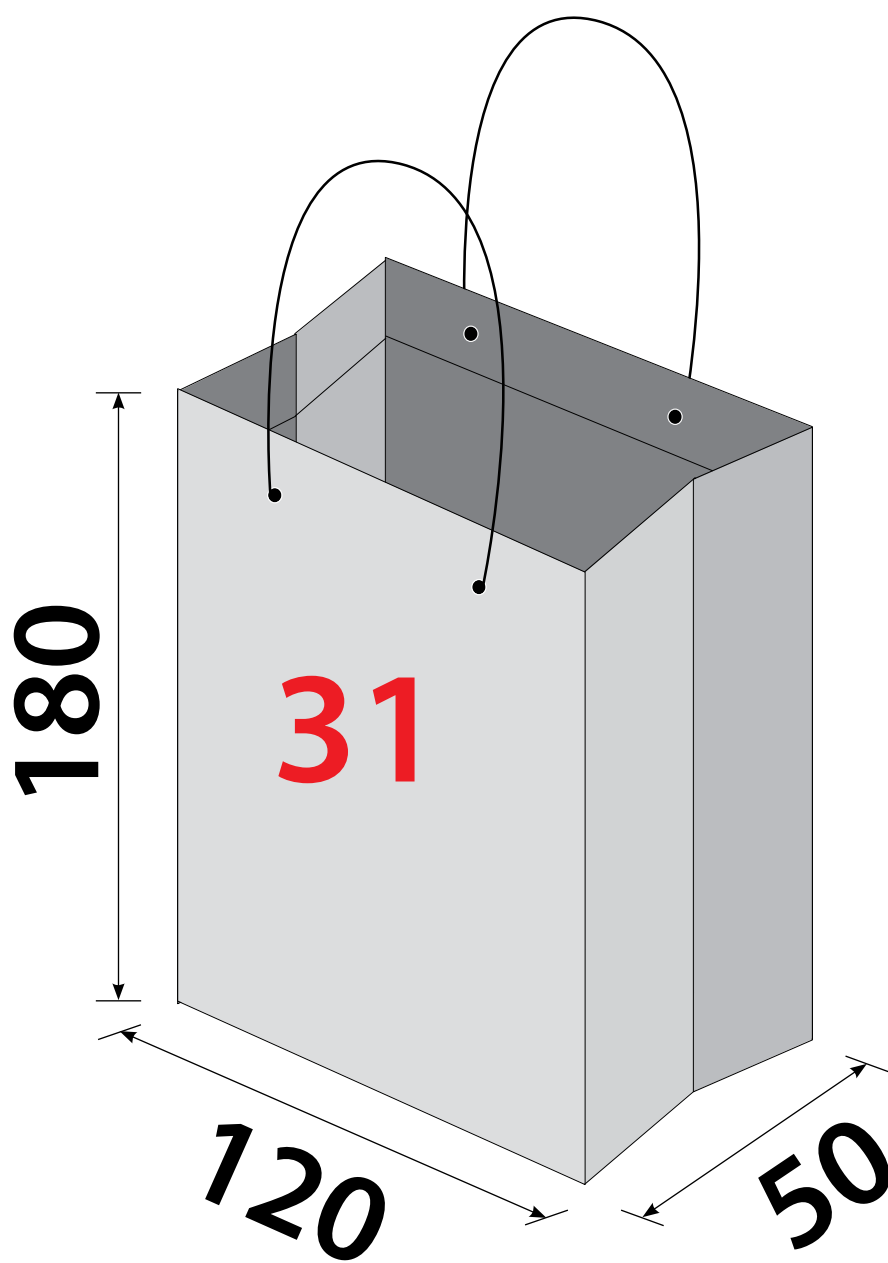
h 400x600x150



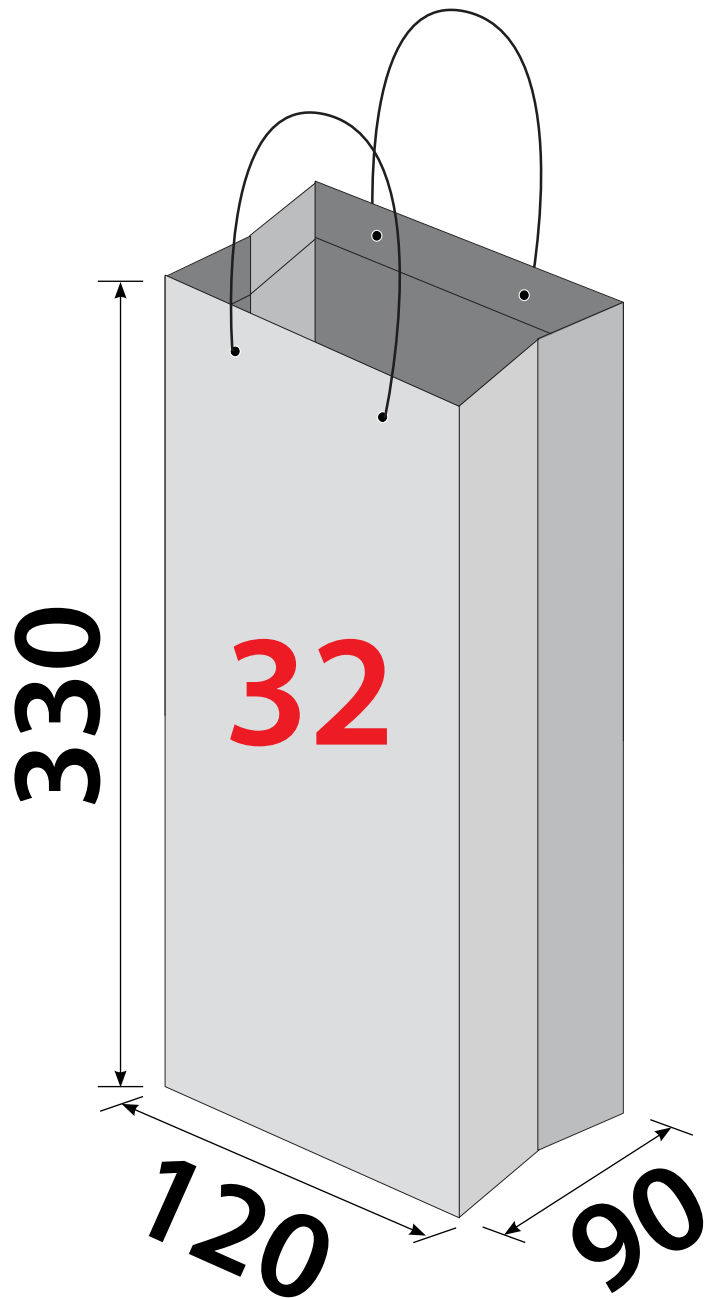
h 420x700x280



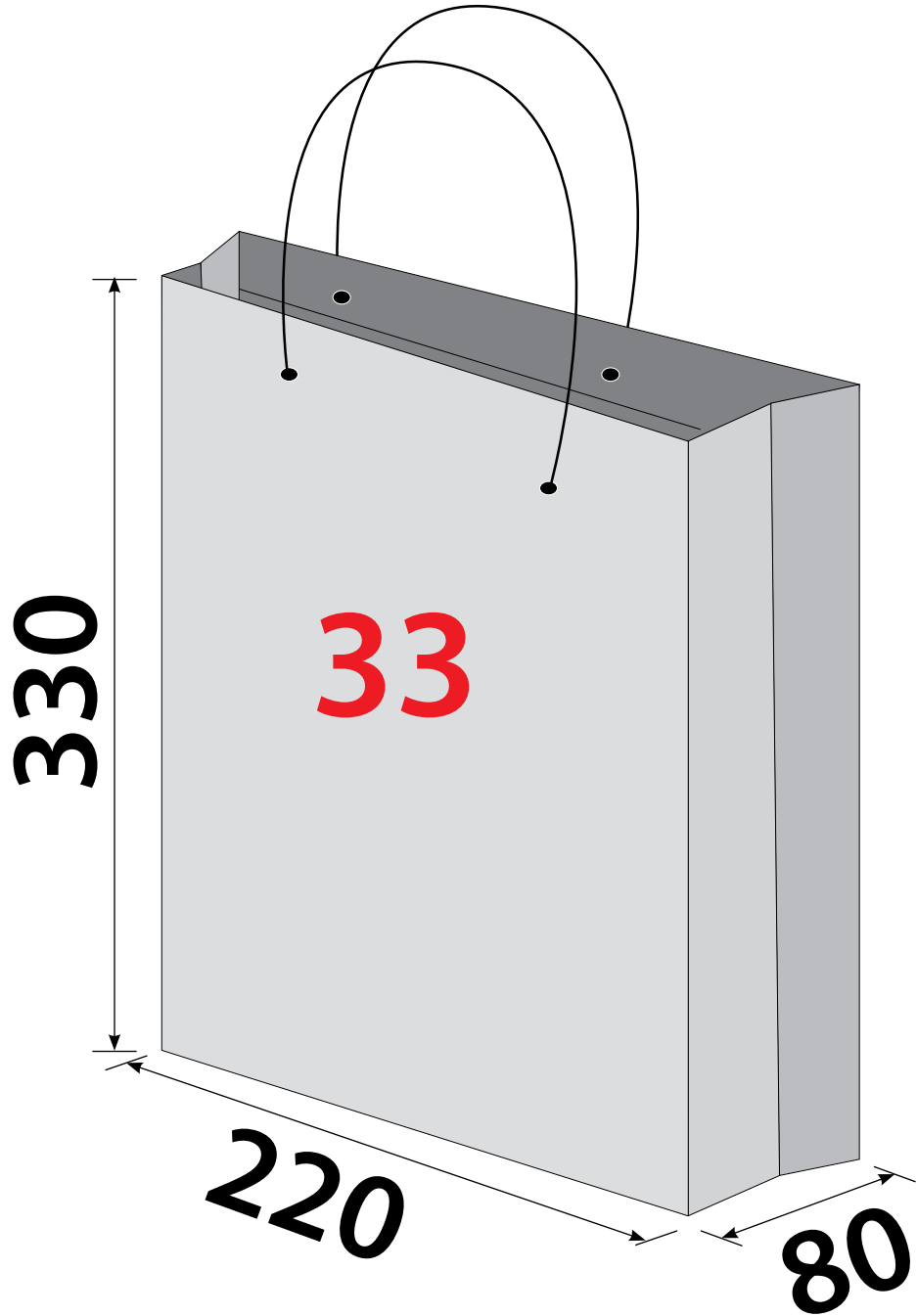
h 400x400x100



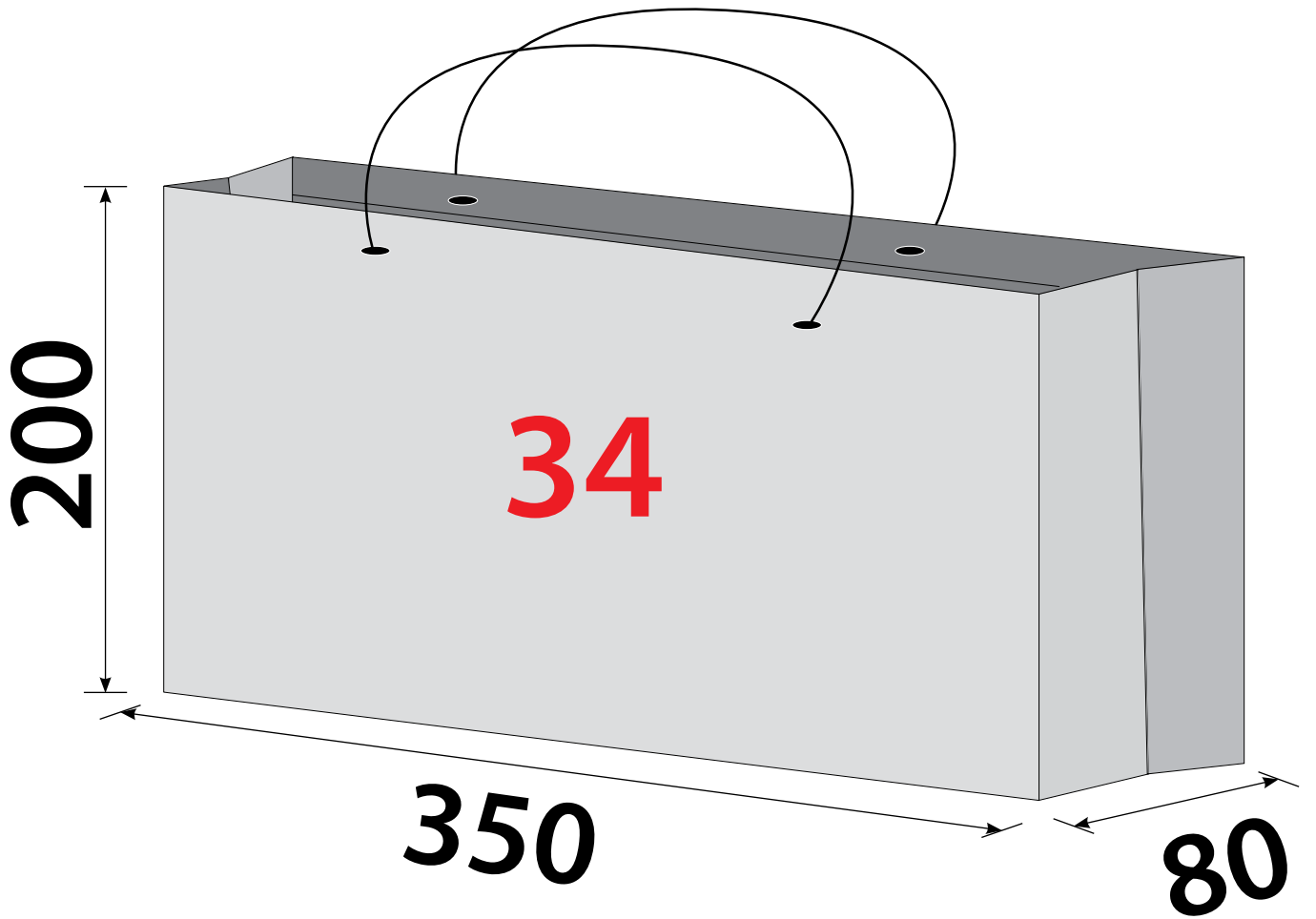
h 180x120x50



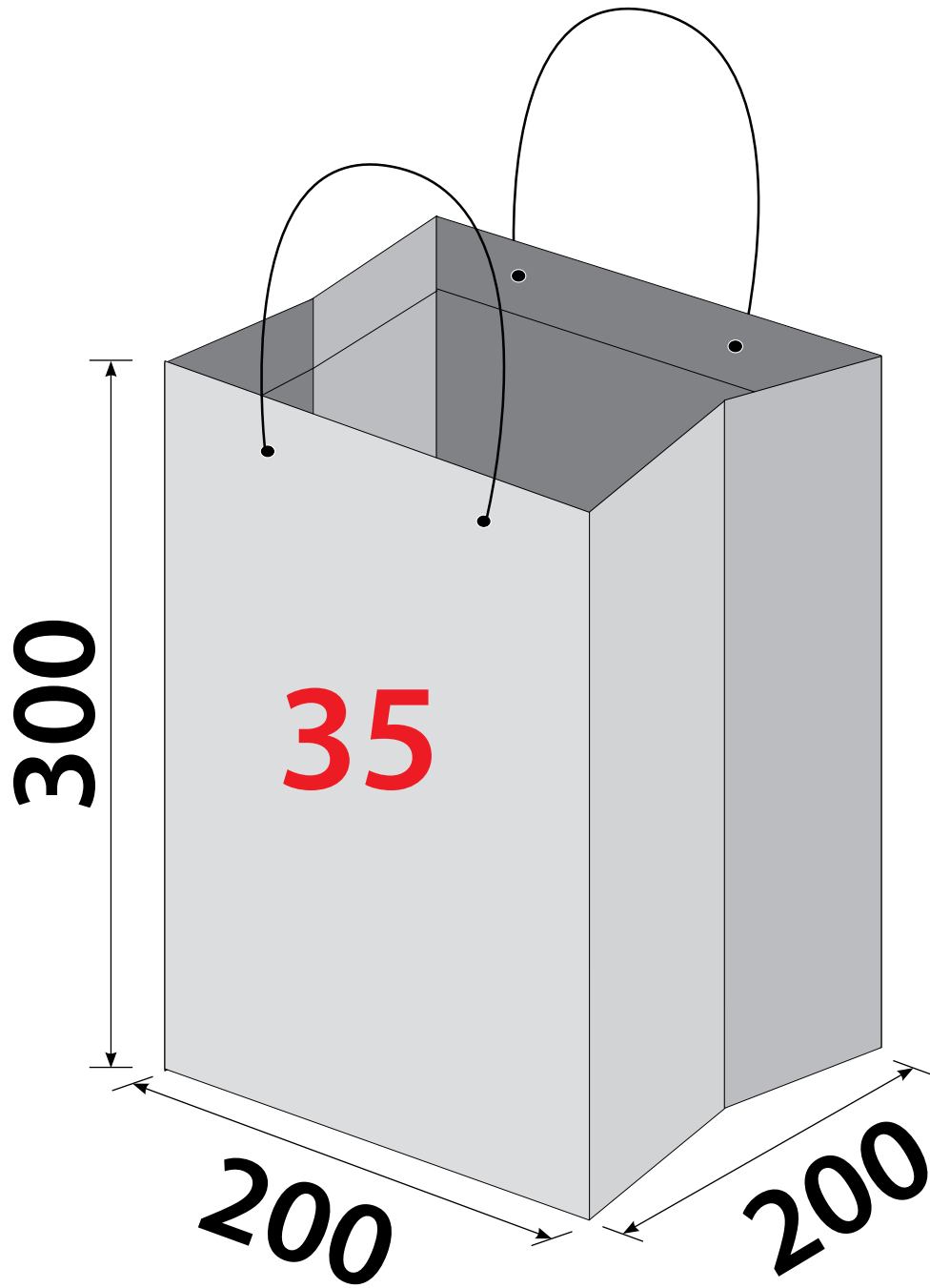
h 330x120x90



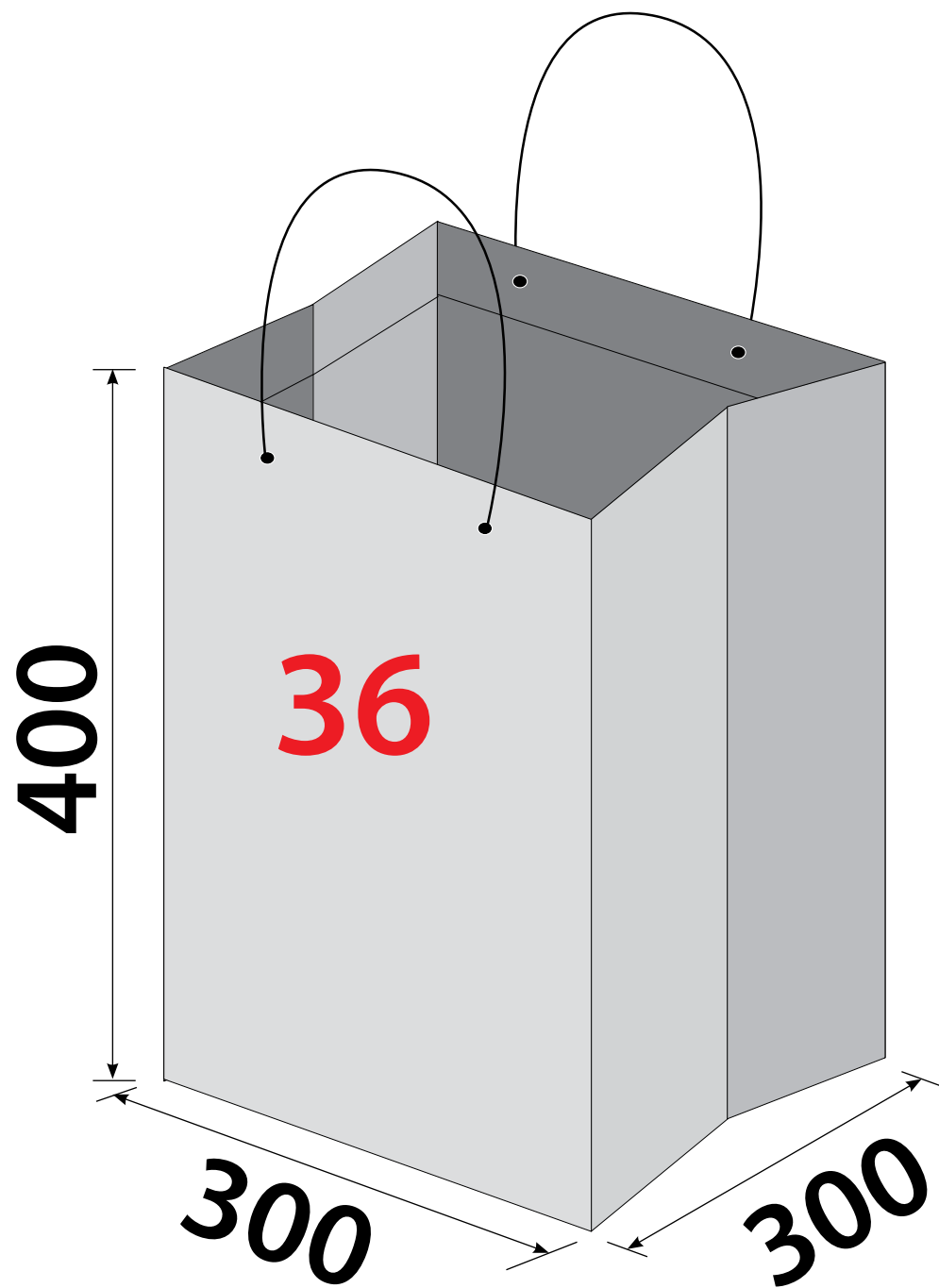
h 330x220x80



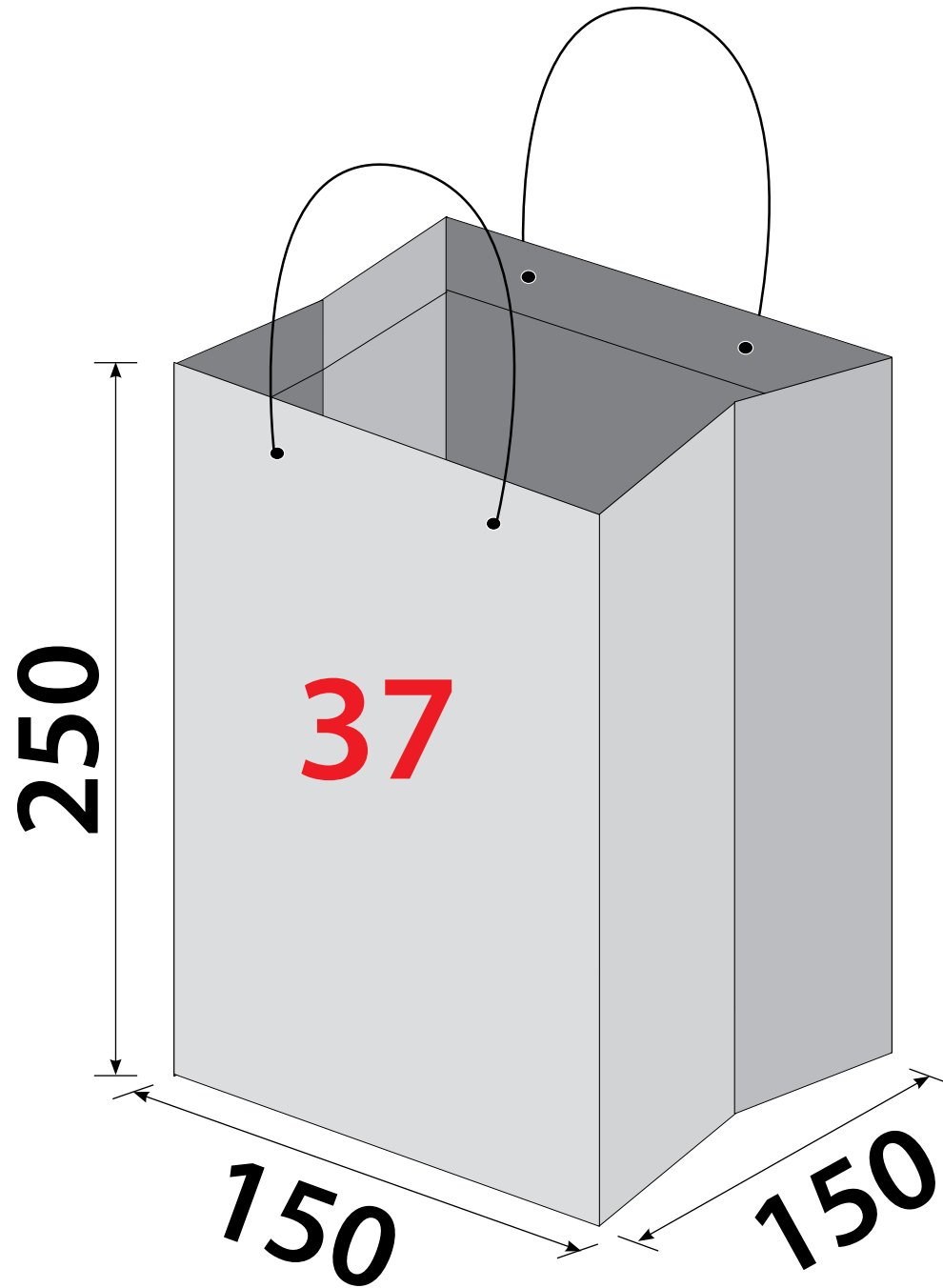
h 200x350x80



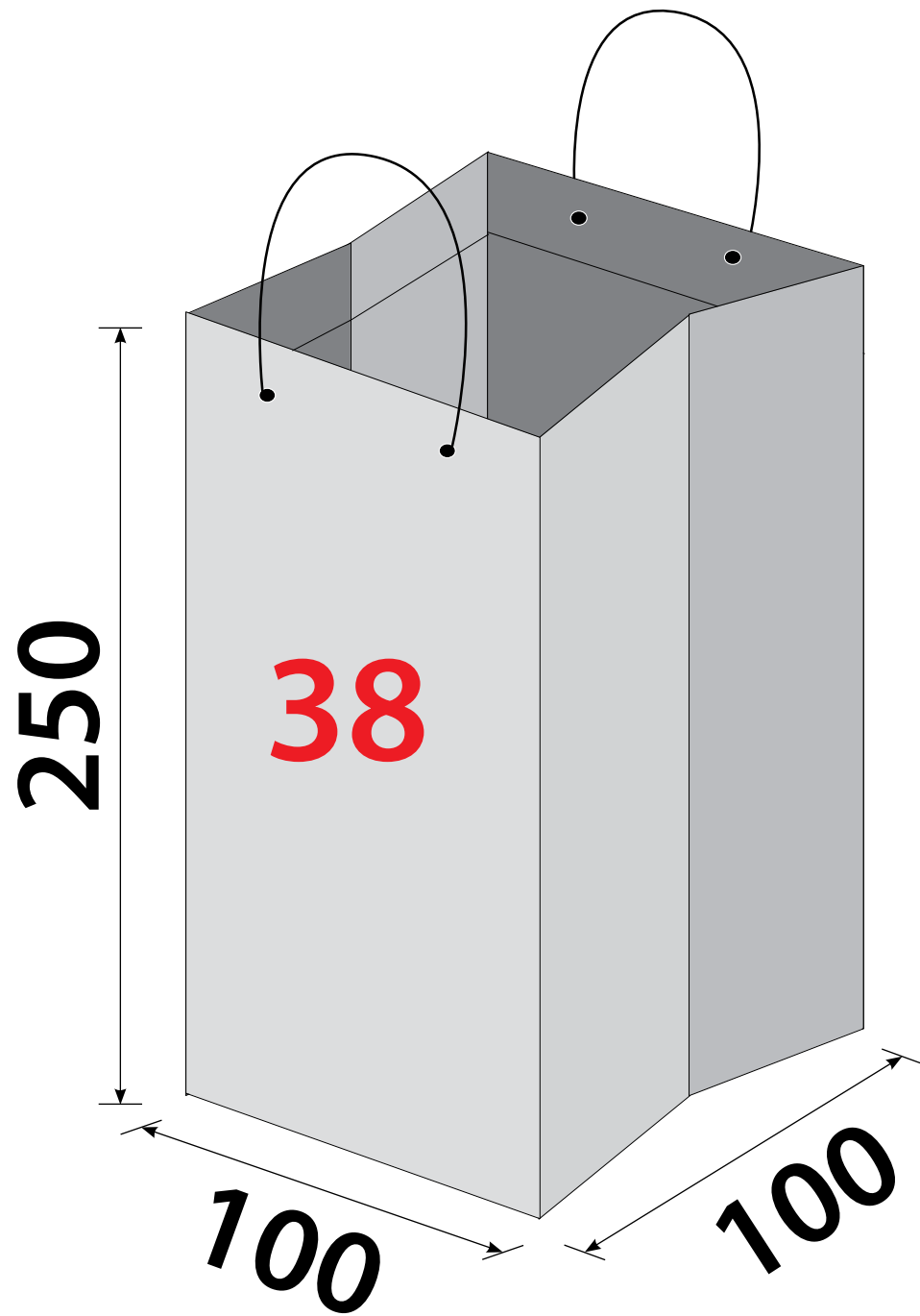
h 300x200x200



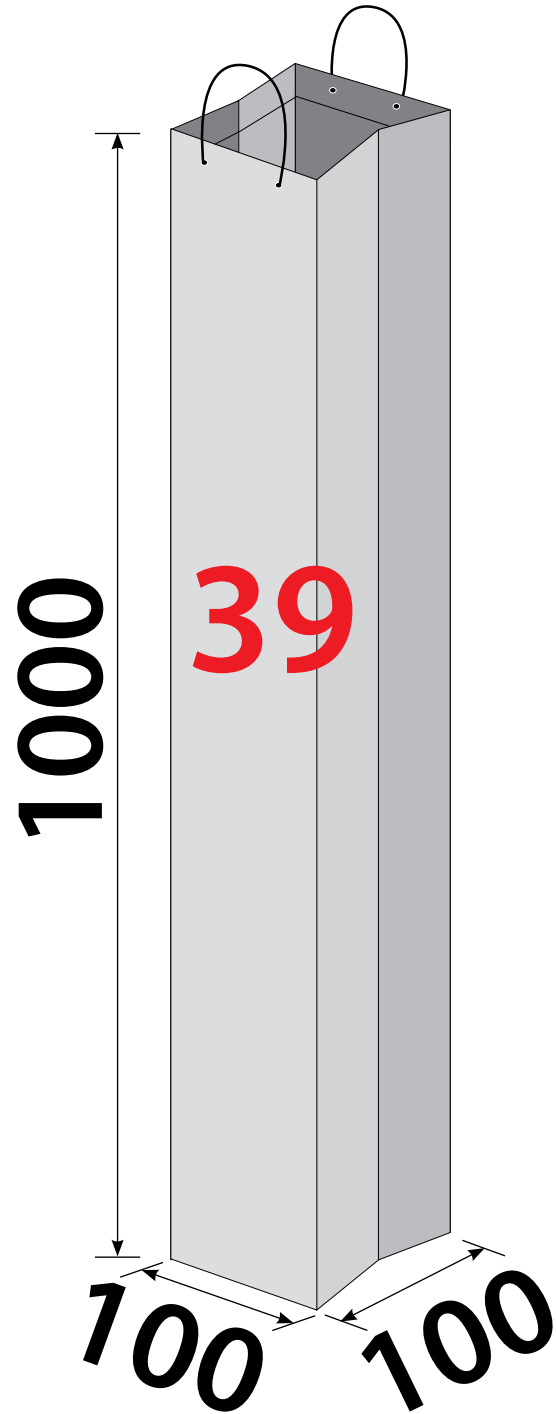
h 400x300x300



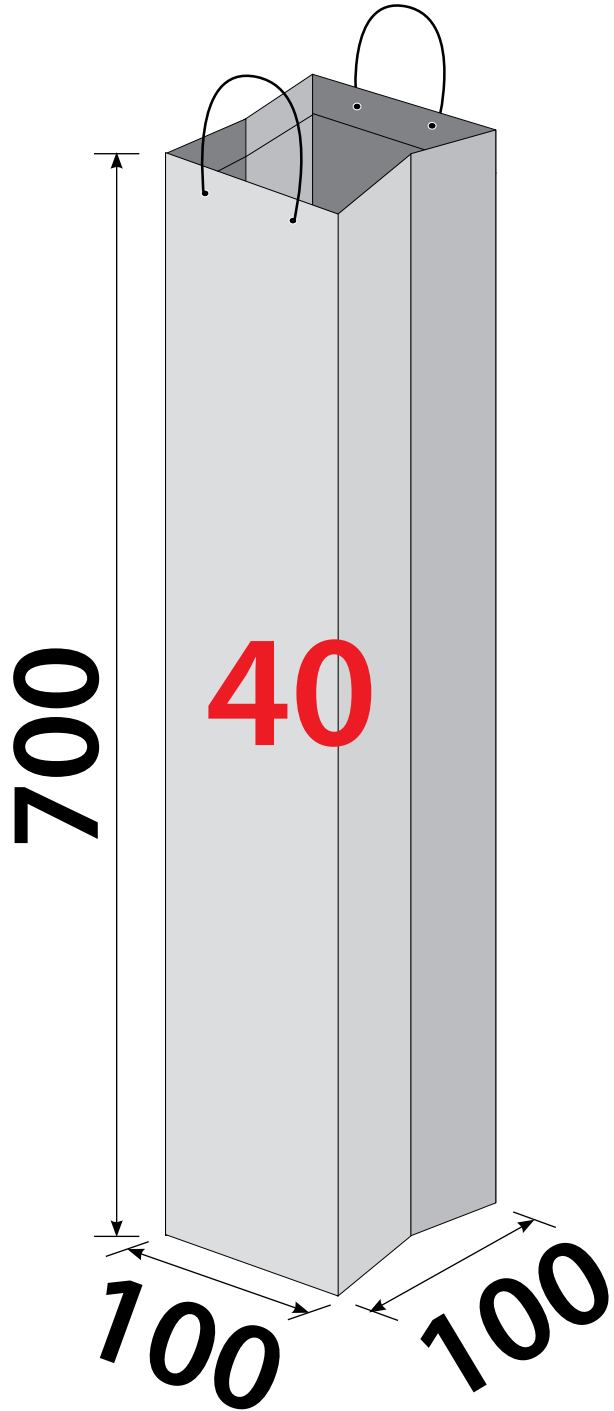
h 250x150x150



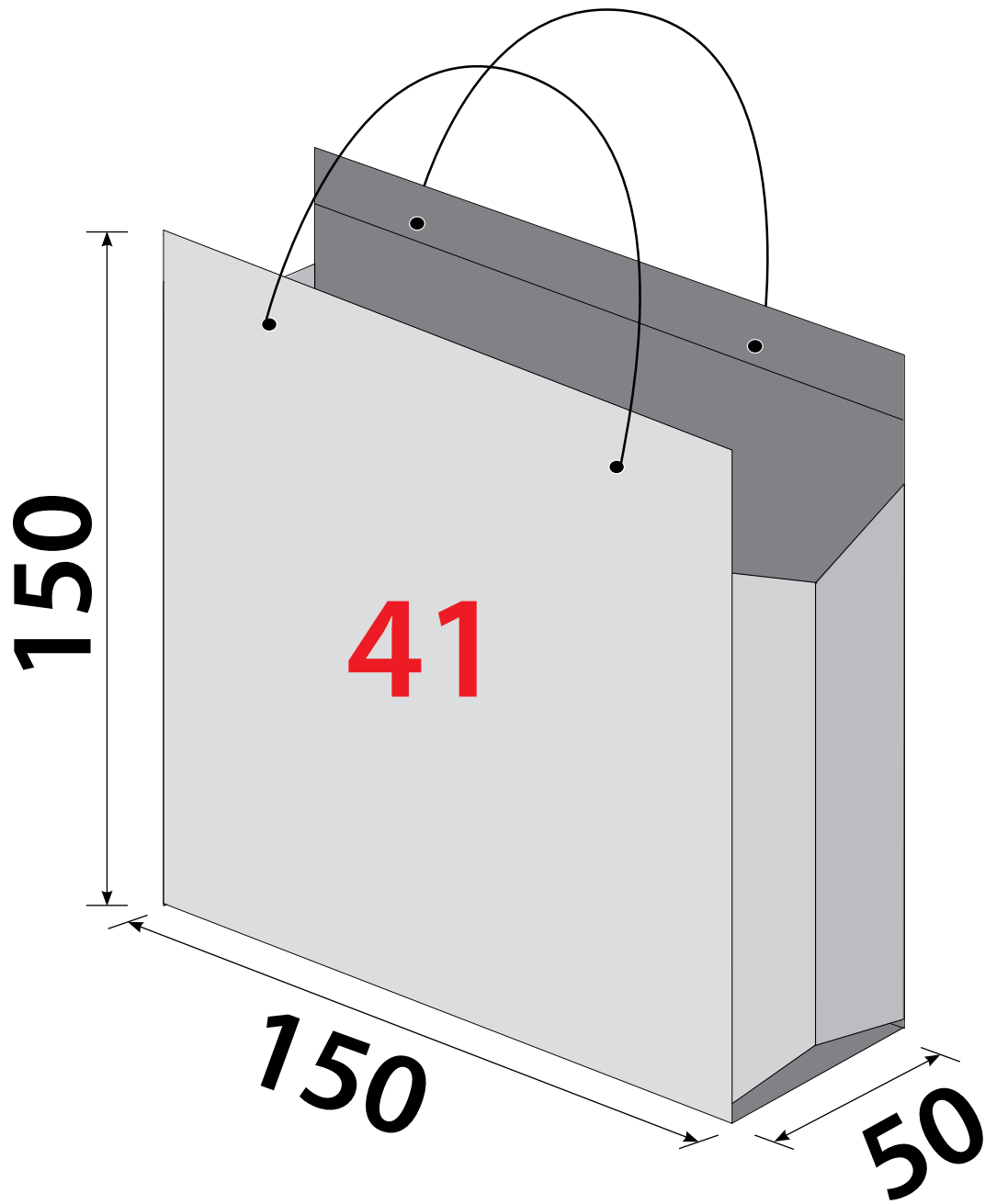
h 250x100x100



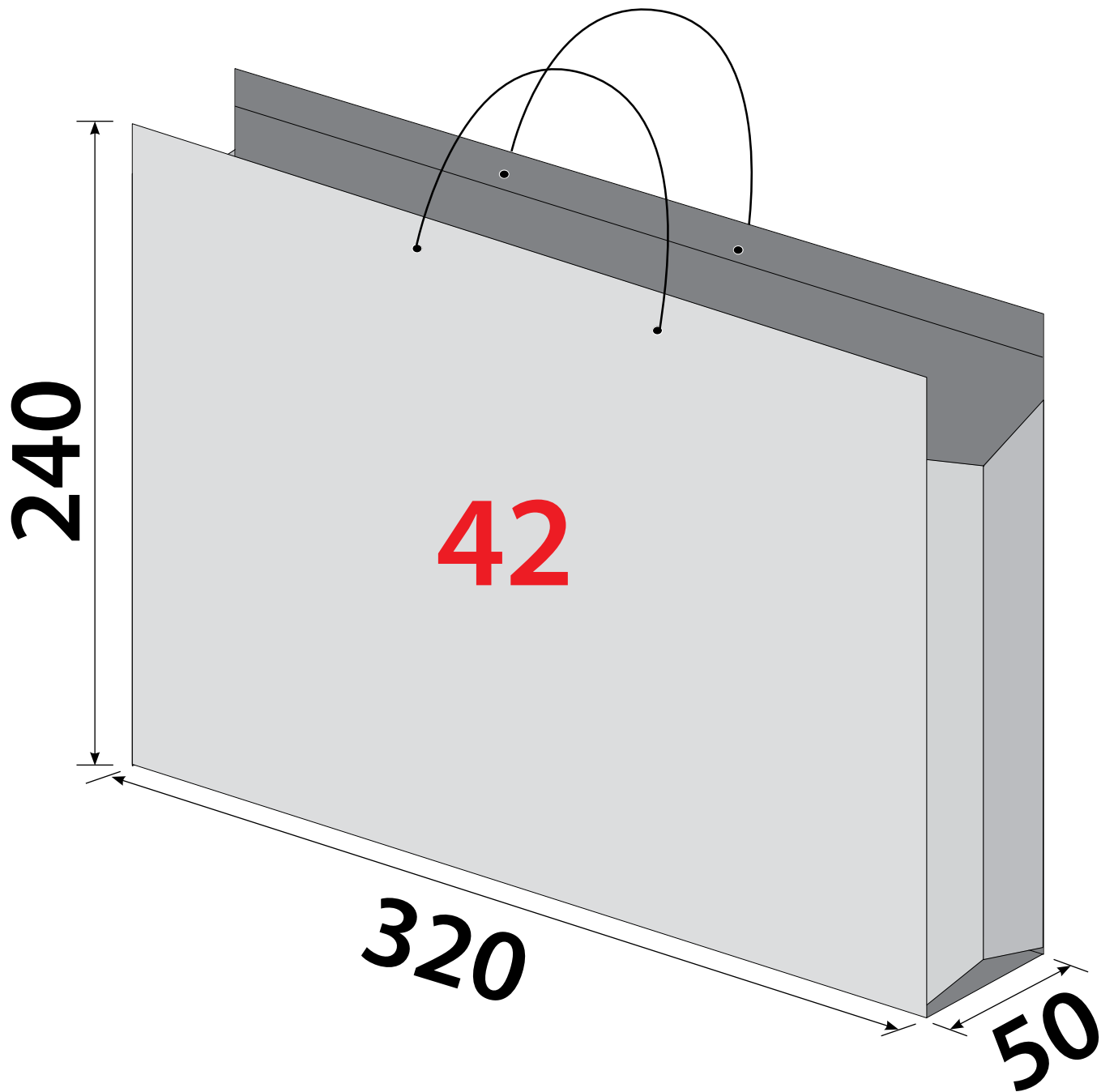
$h\ 1000 \times 100 \times 100$



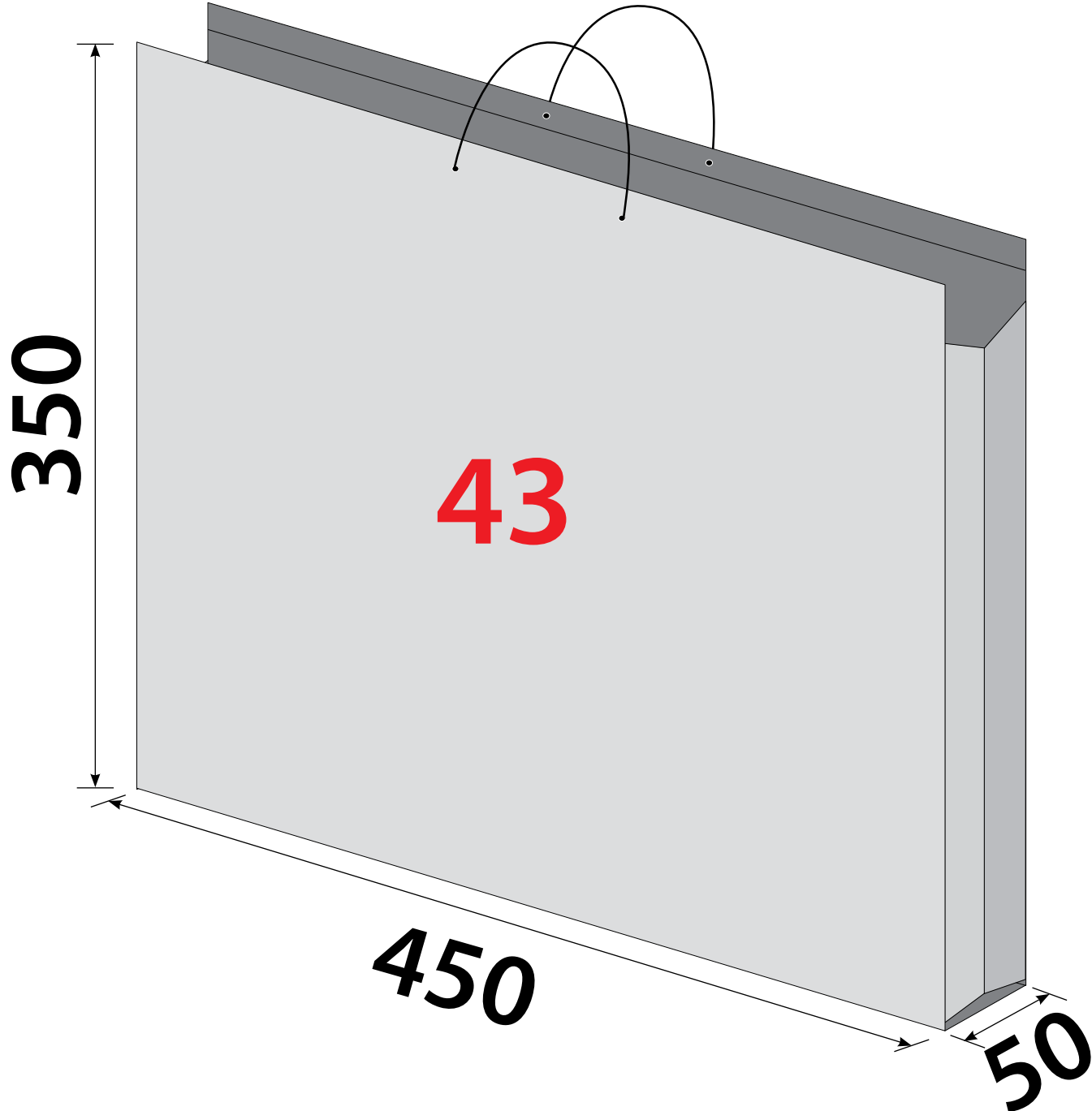
h 700x100x100



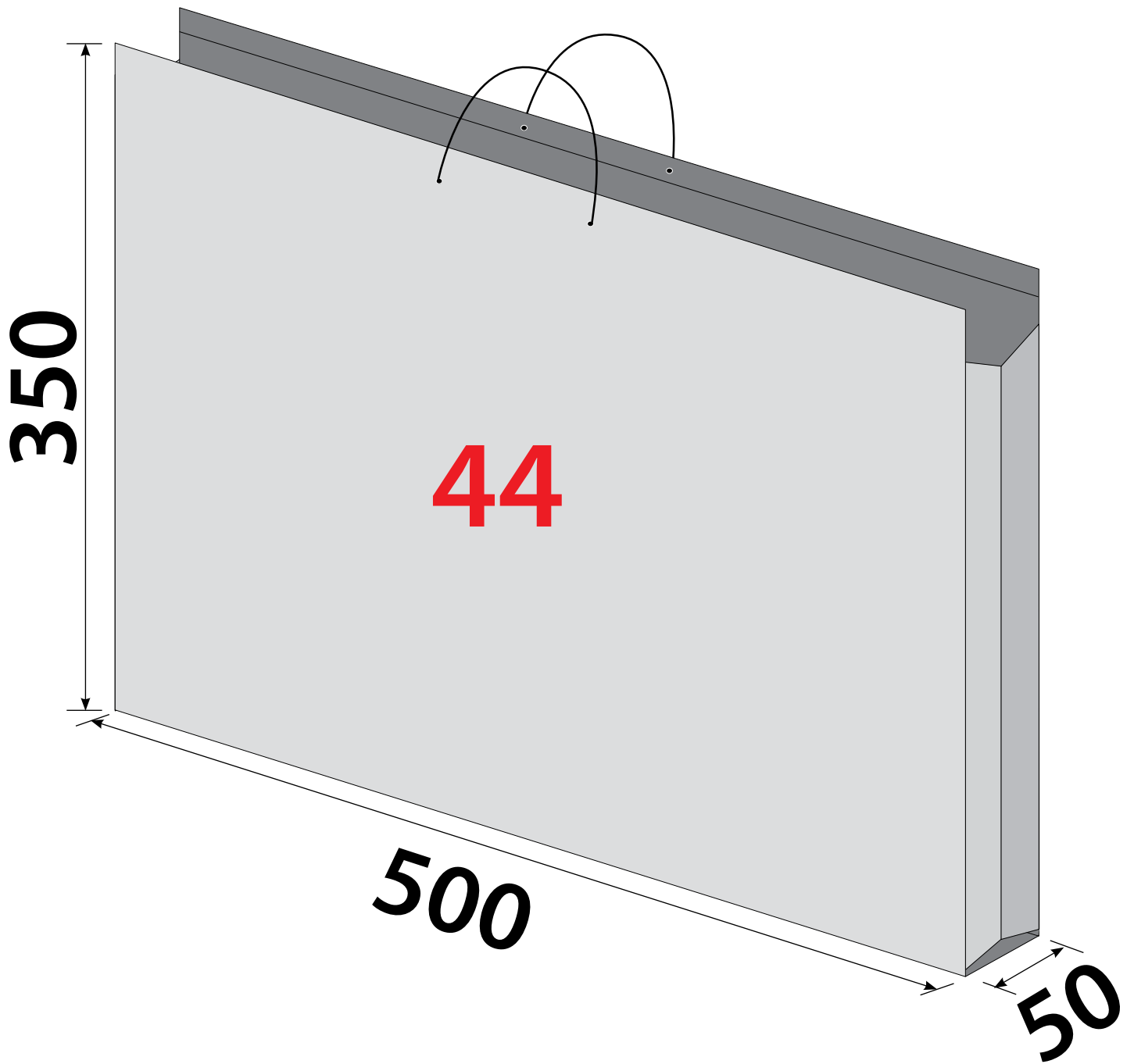
h 150x150x50



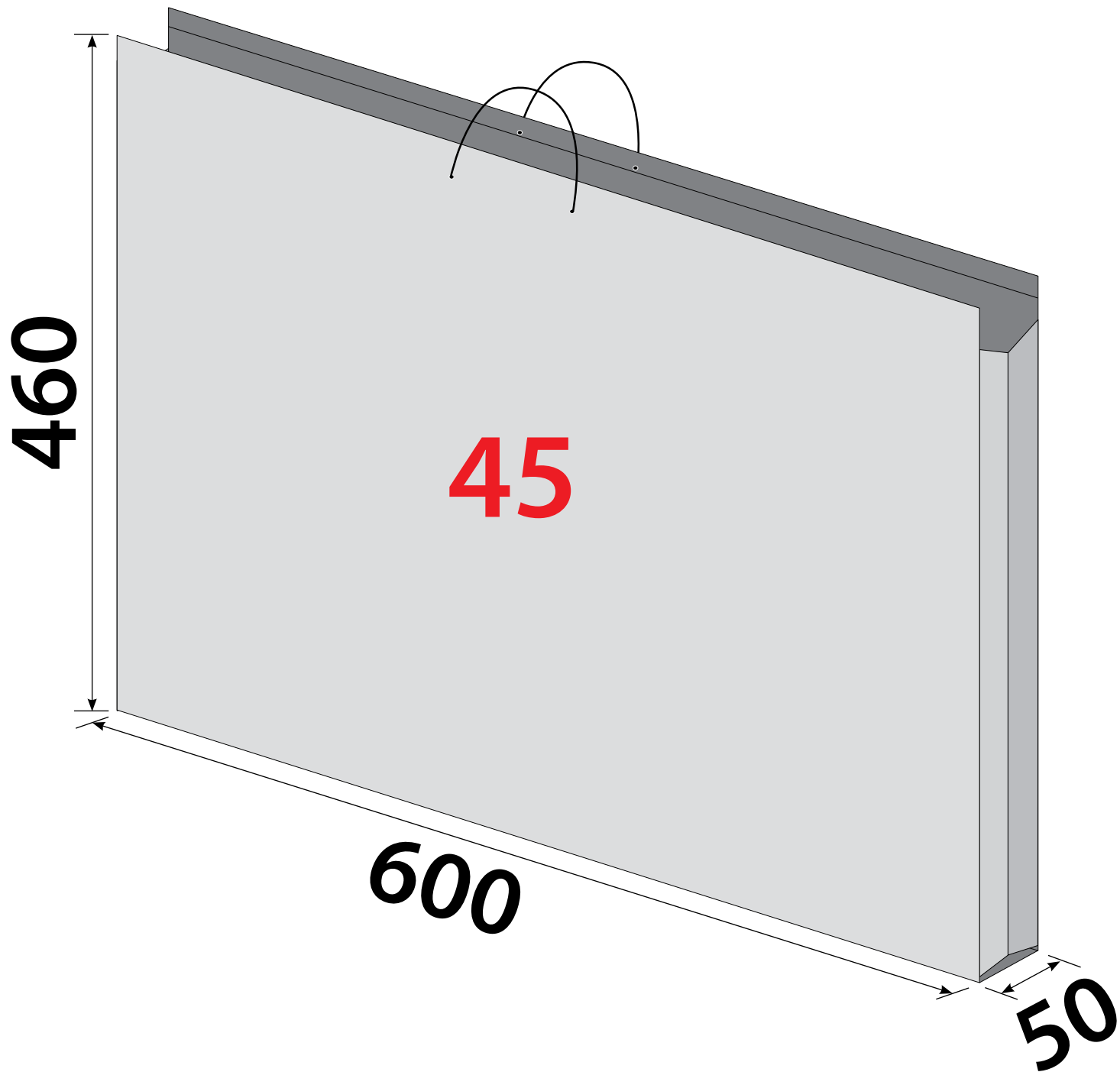
h 240x320x50



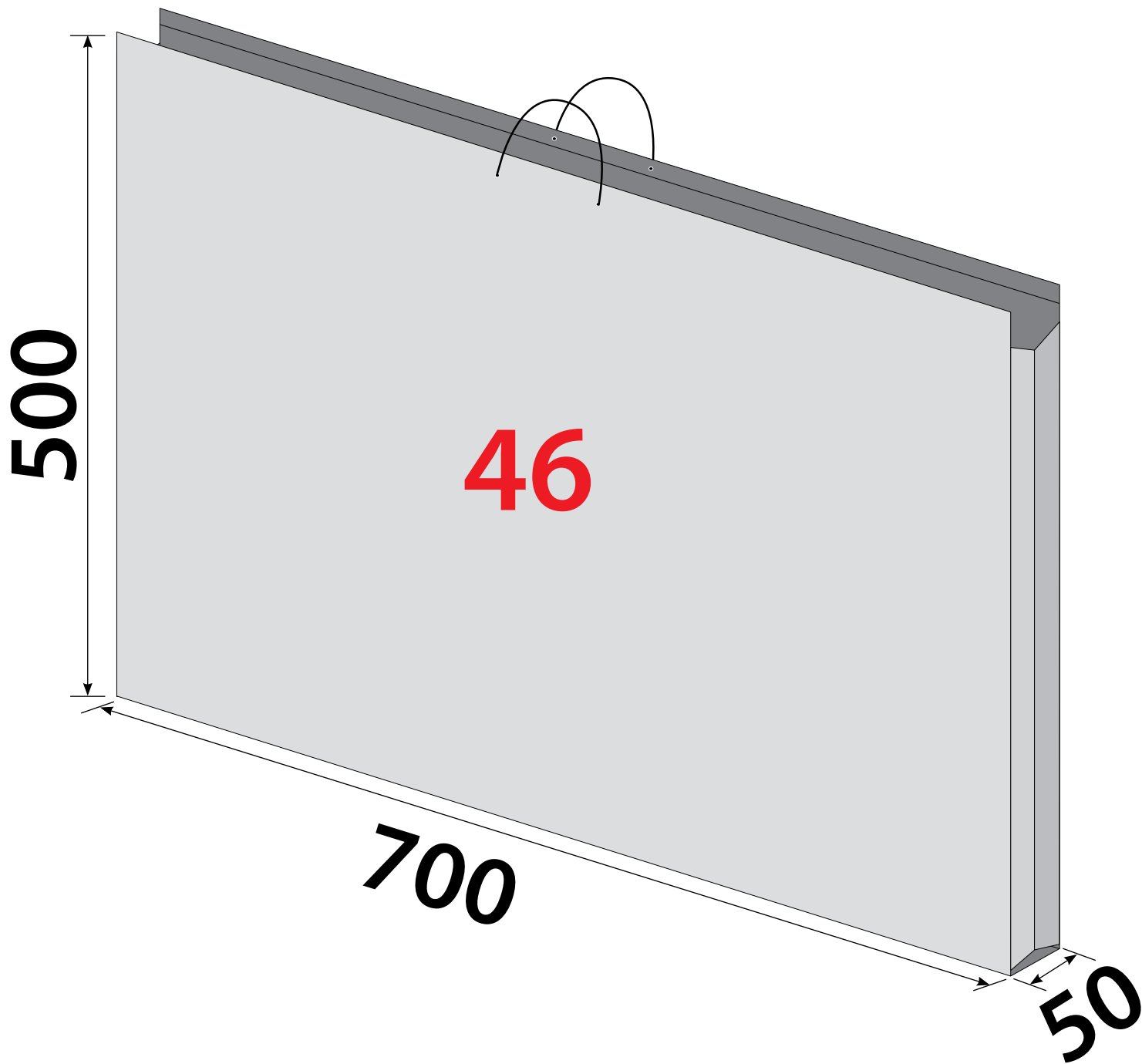
h 350x450x50



h 350x500x50



h 460x600x50



h 500x700x50

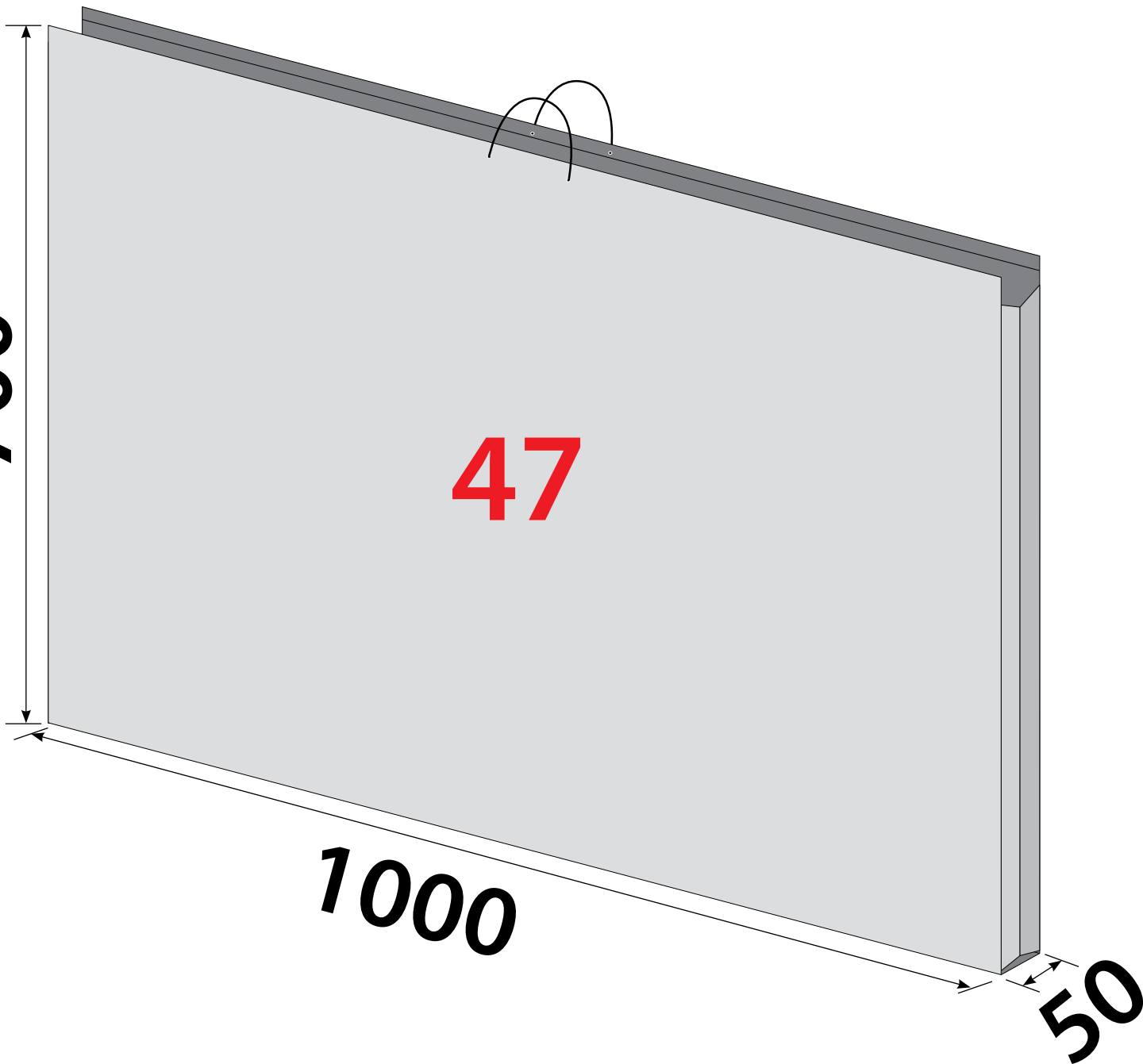
700

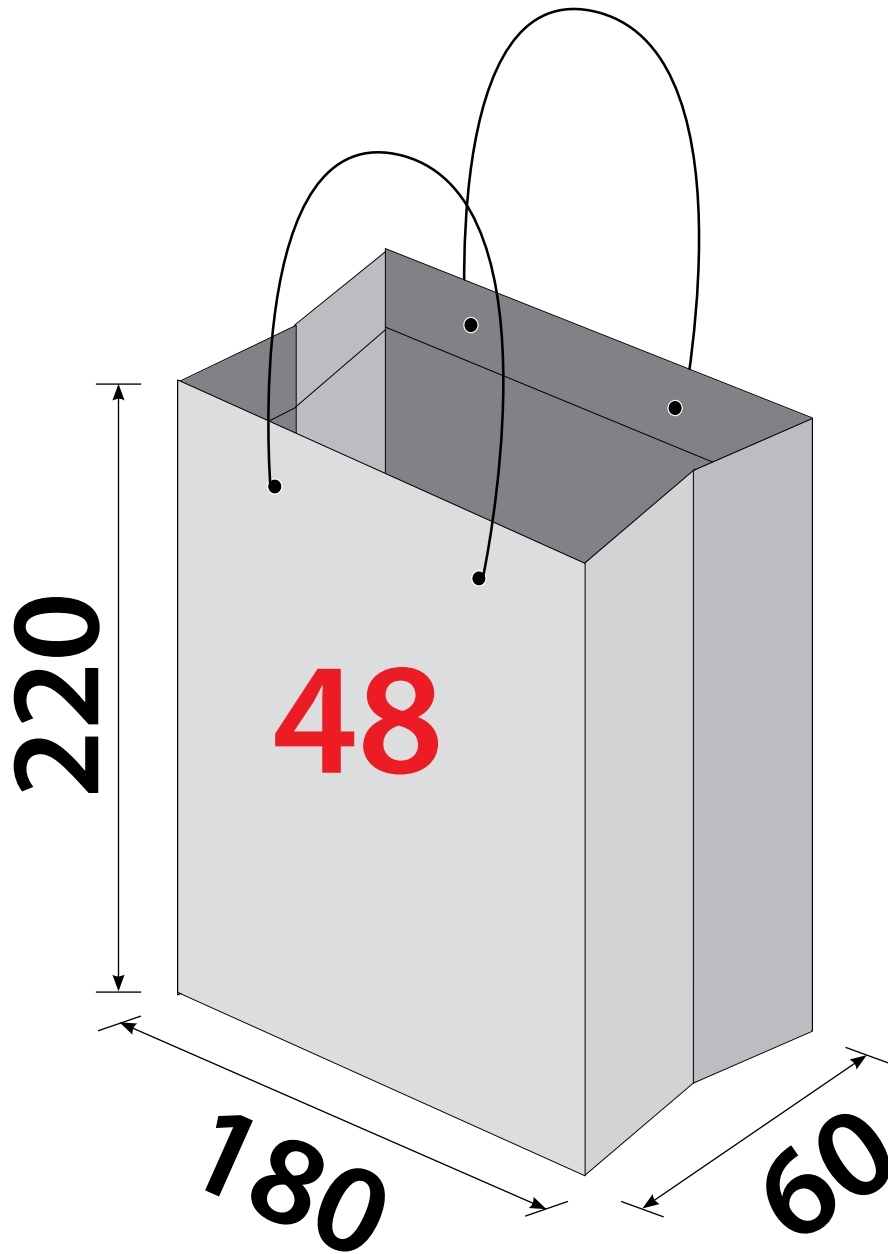
1000

50

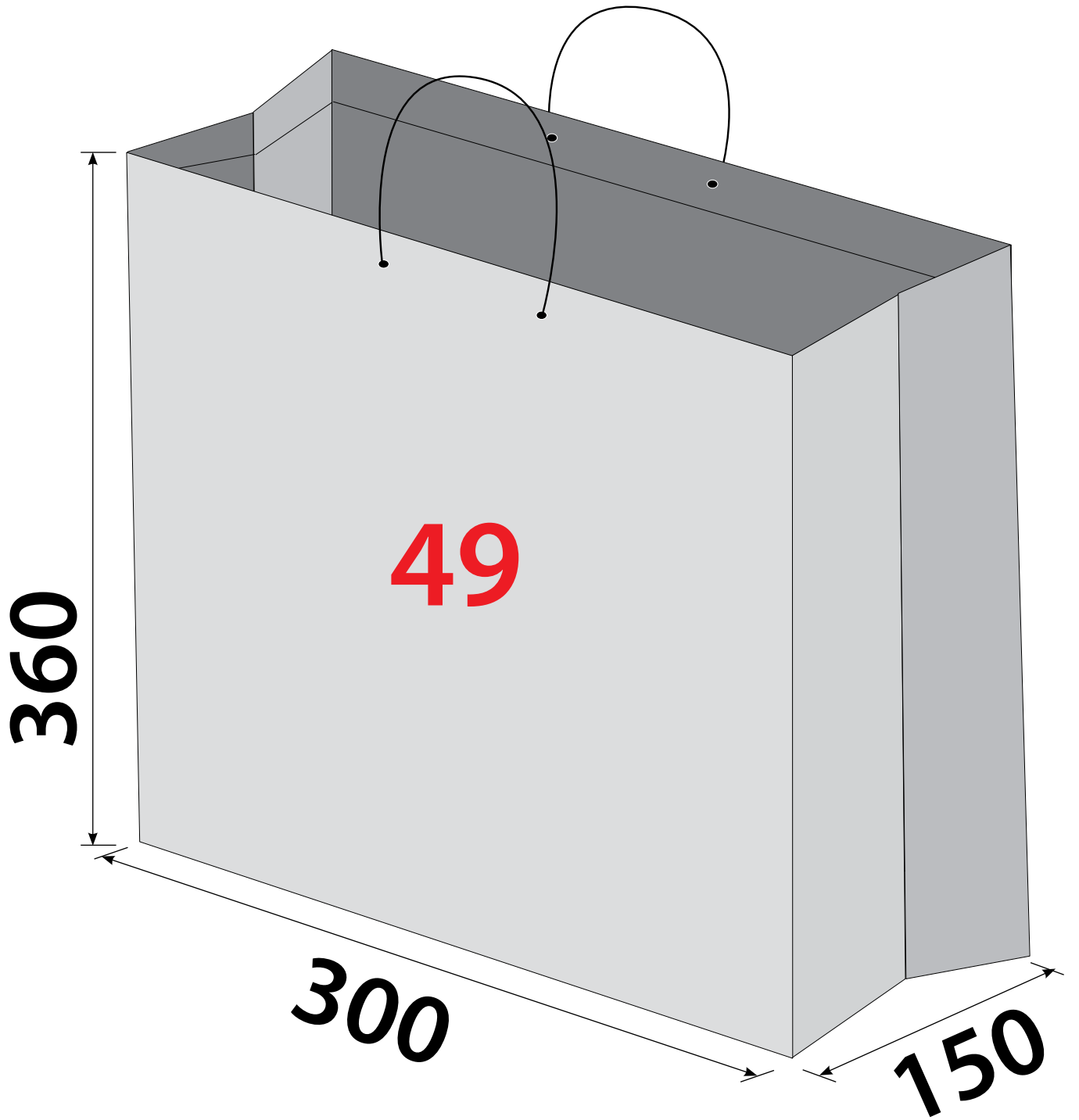
47

h 700x1000x50

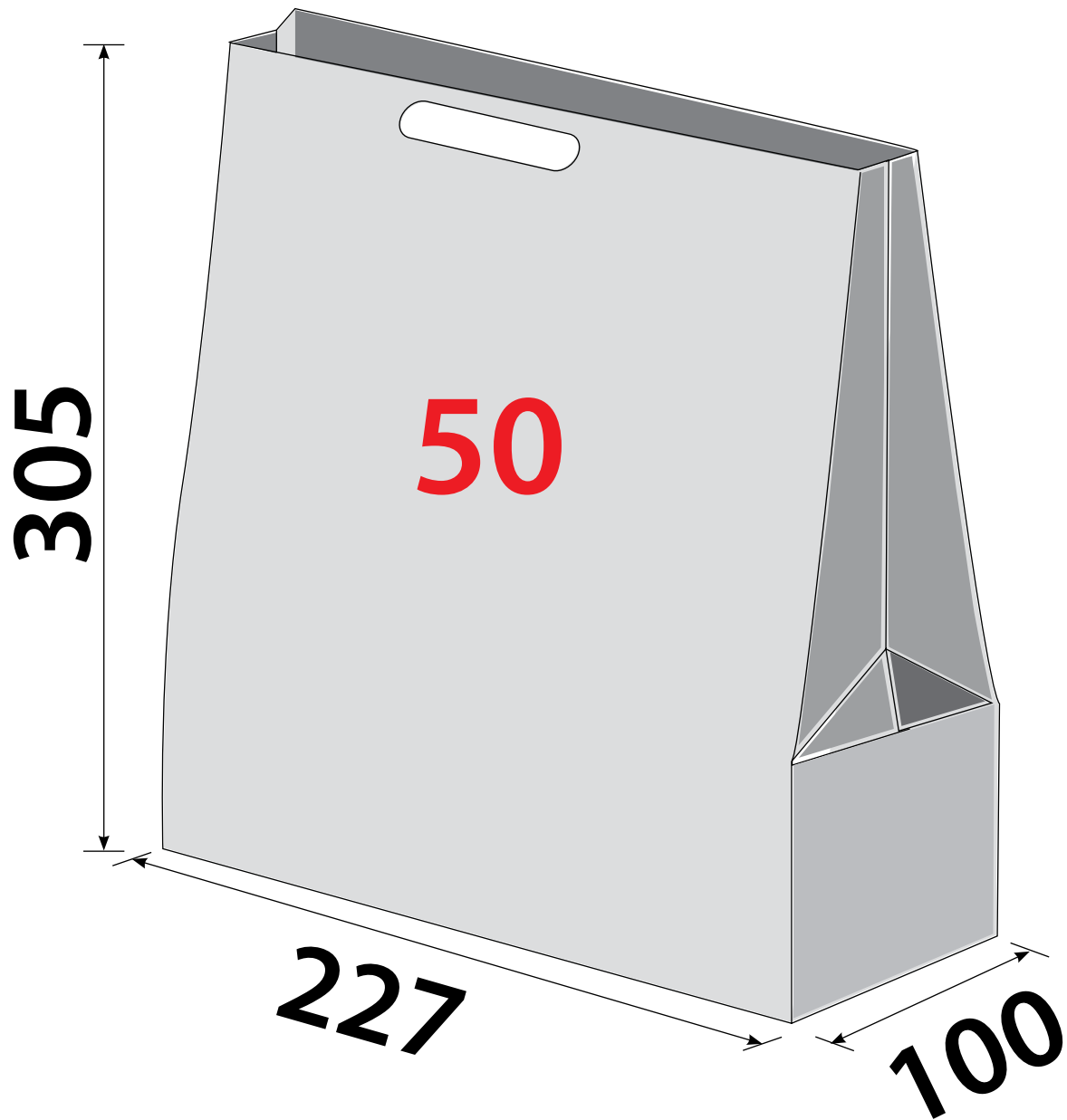




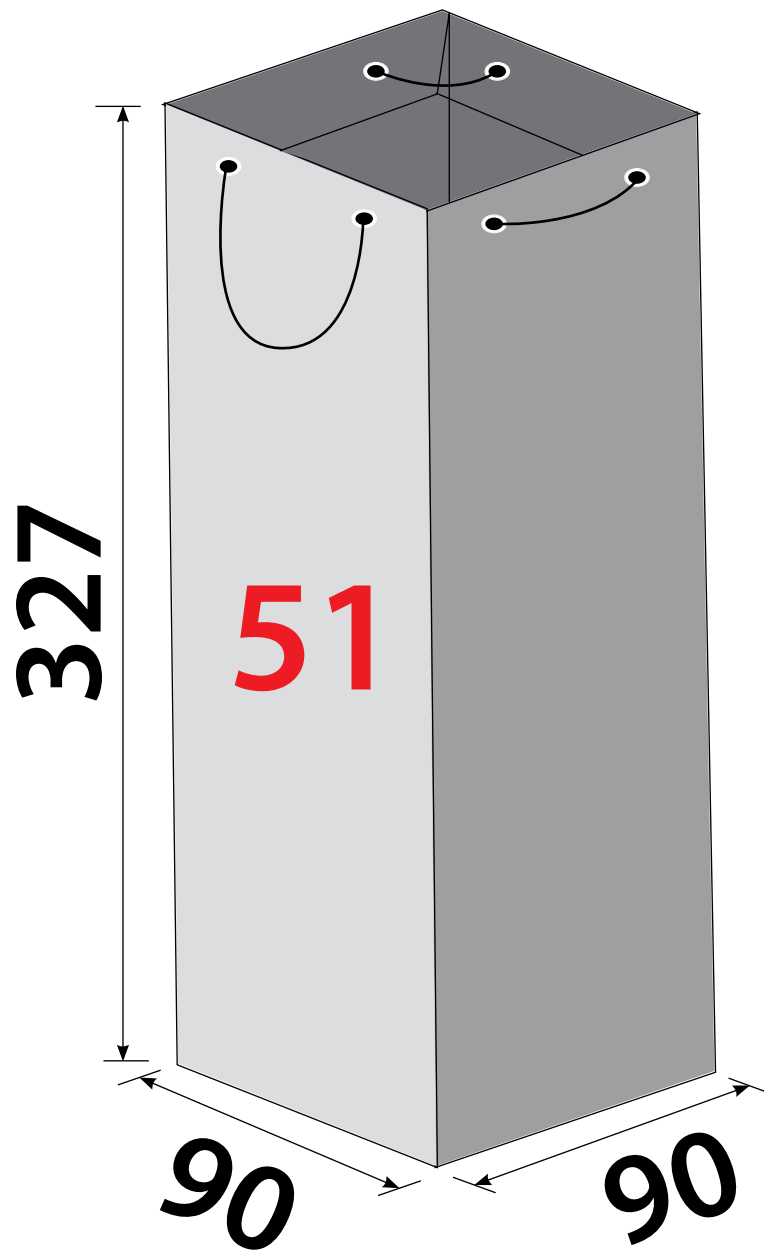
h 220x180x60



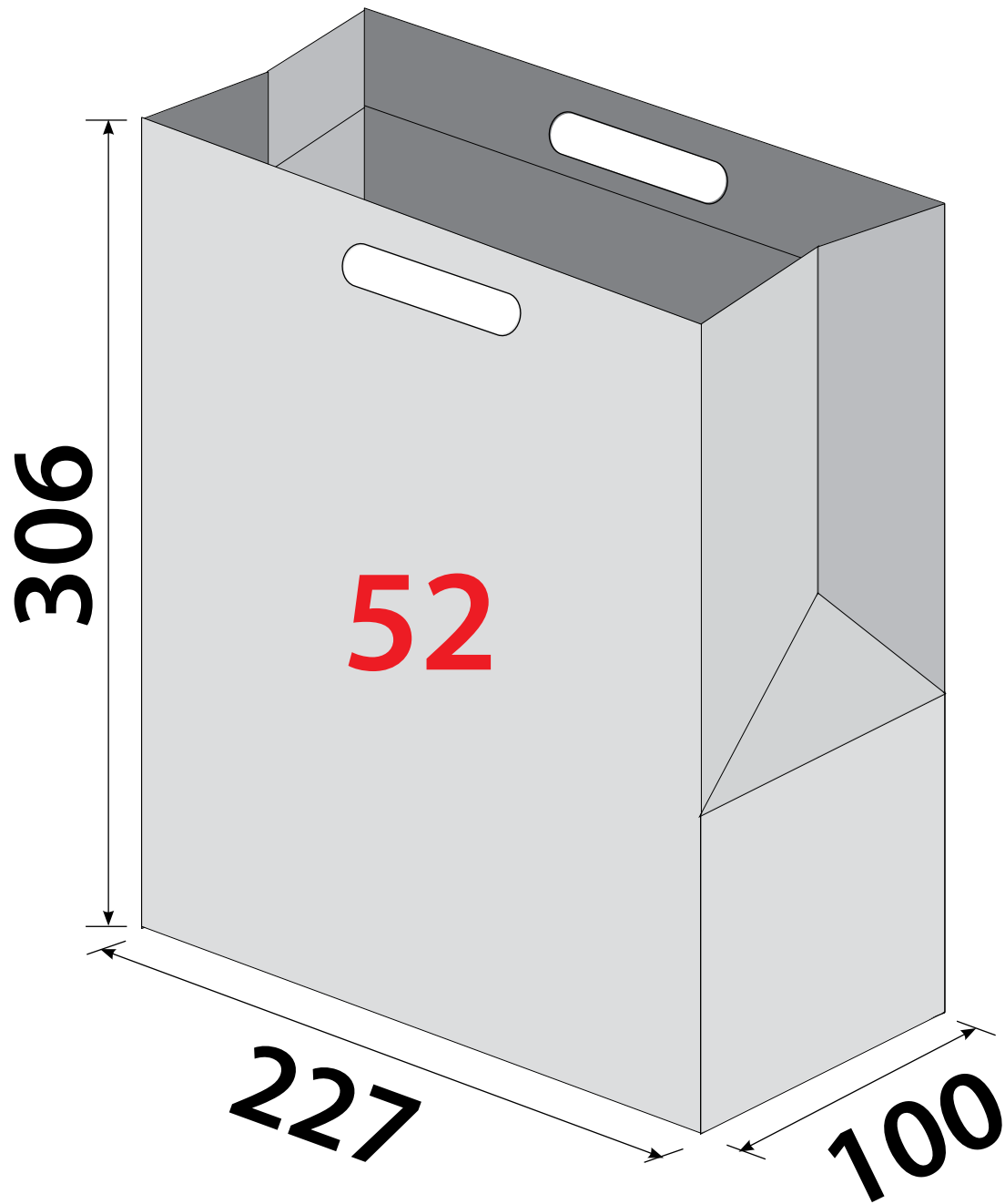
h 360x300x150



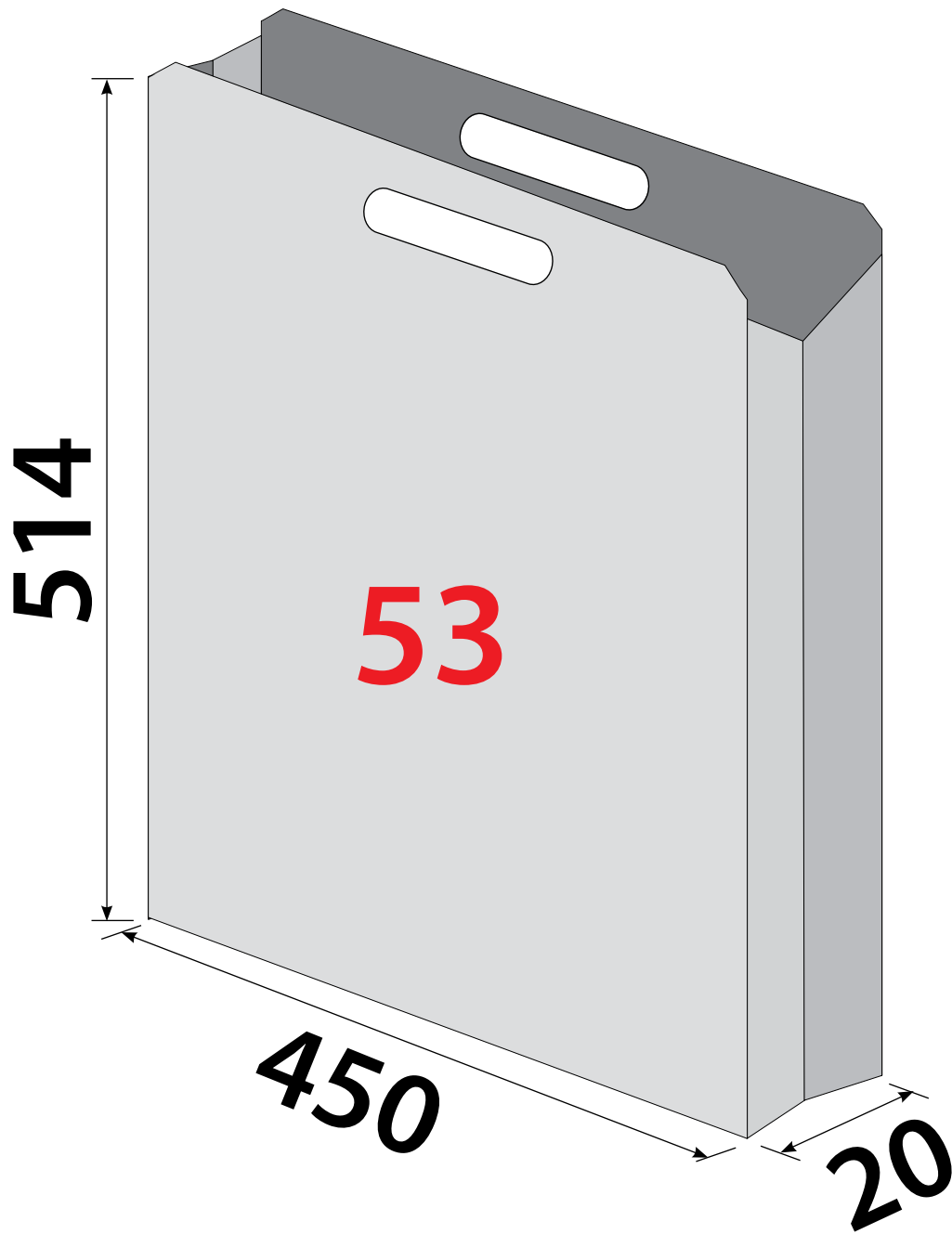
h 305x227x100



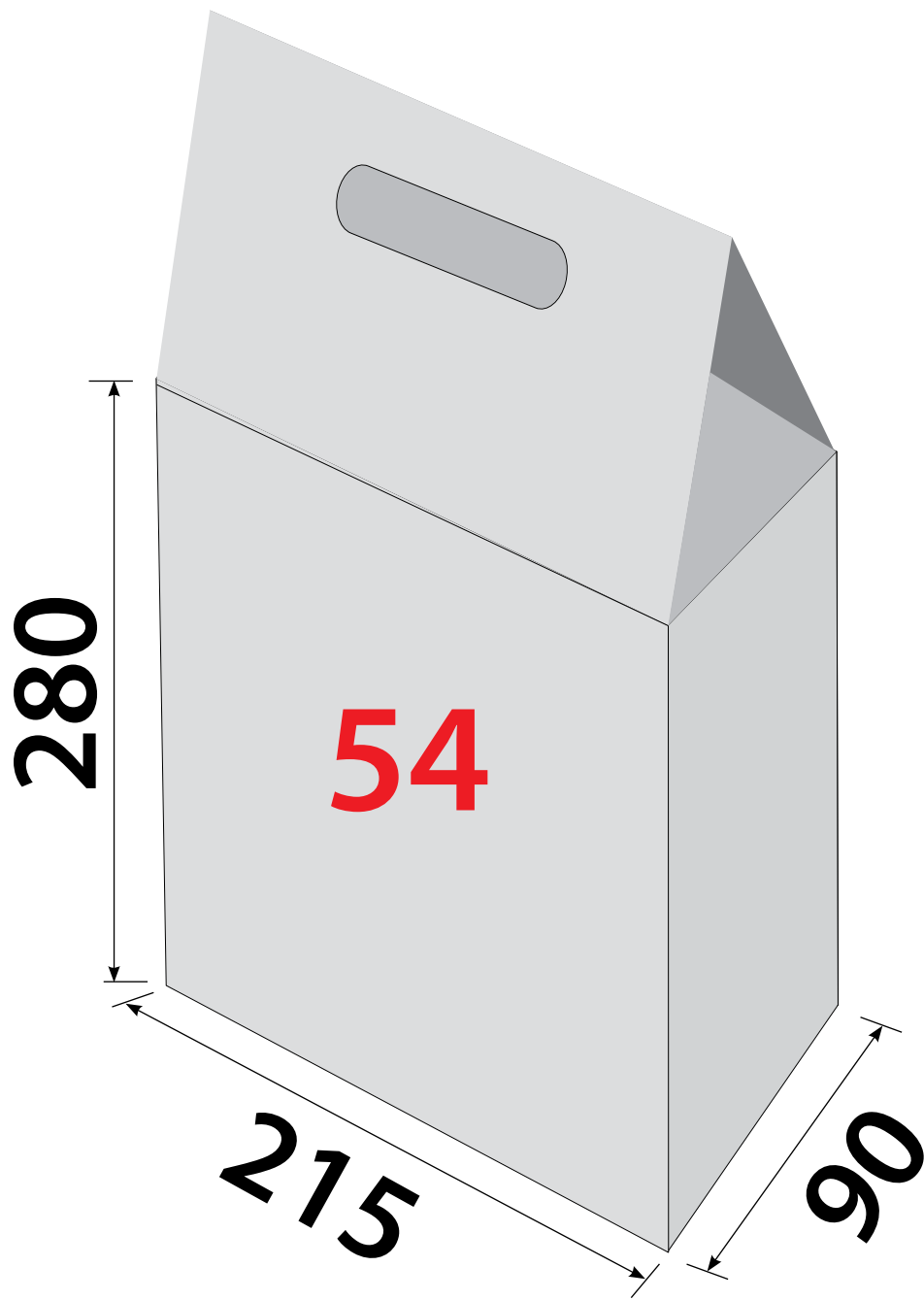
h 327x90x90



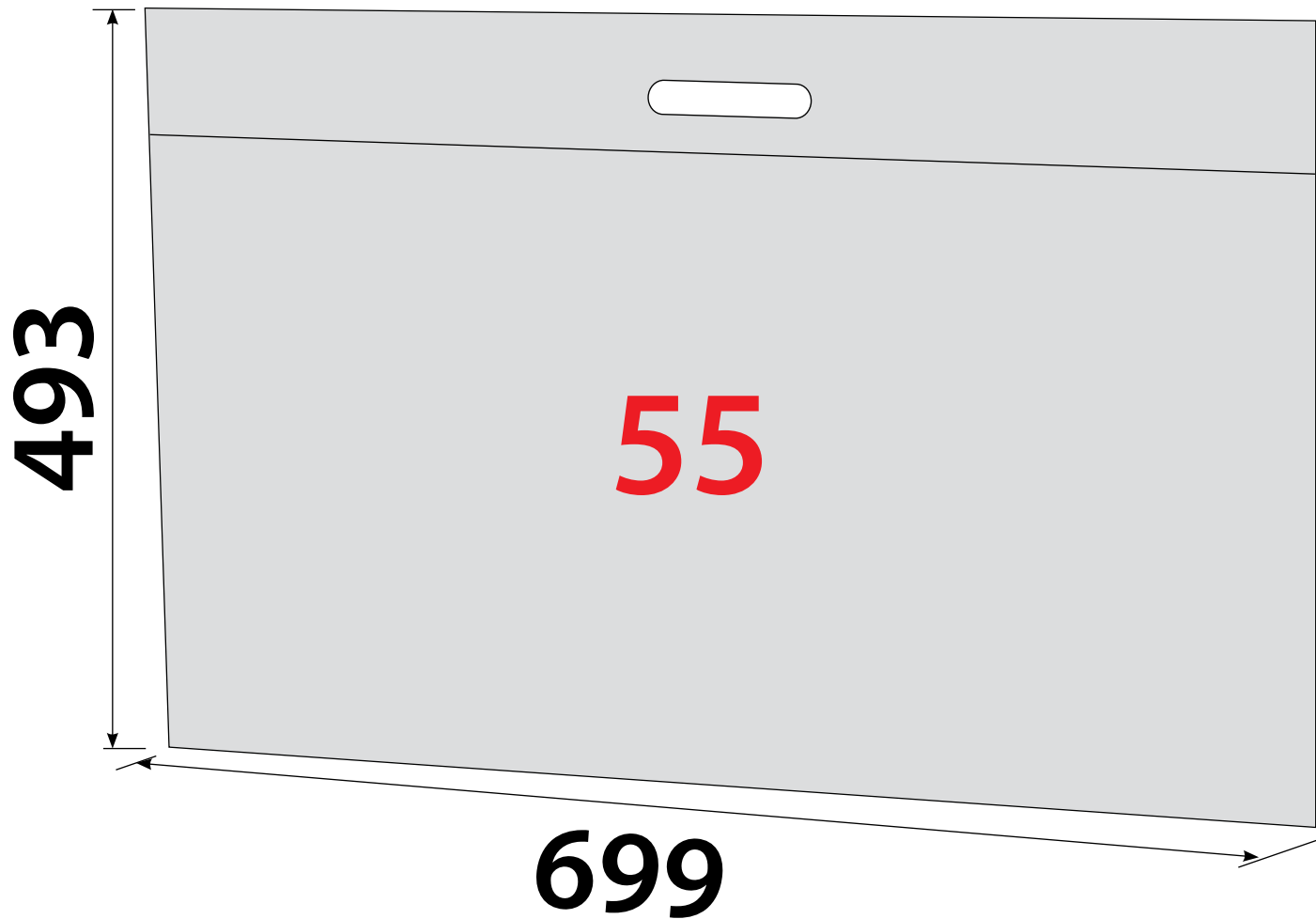
h 306x227x100



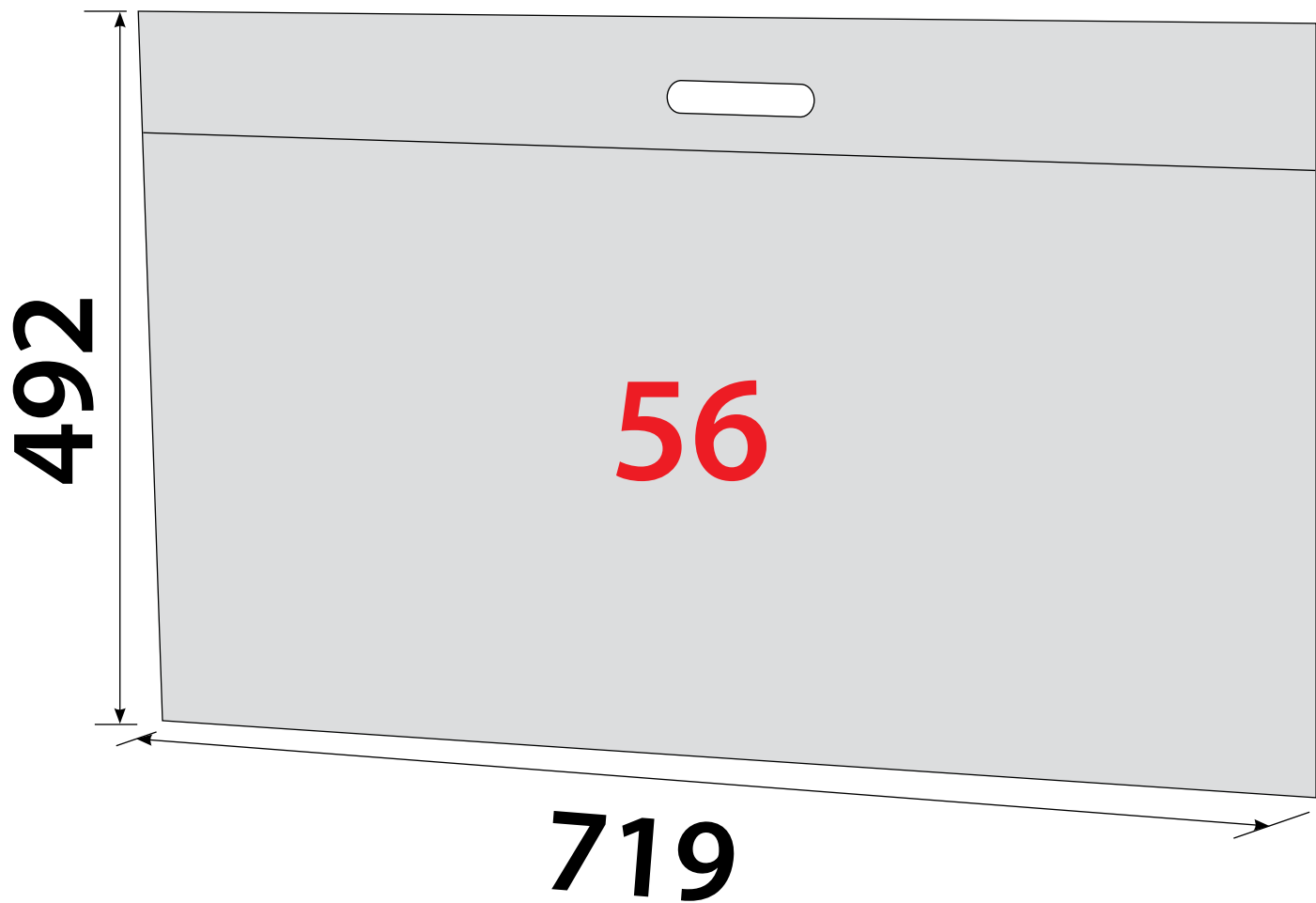
h 514x450x20



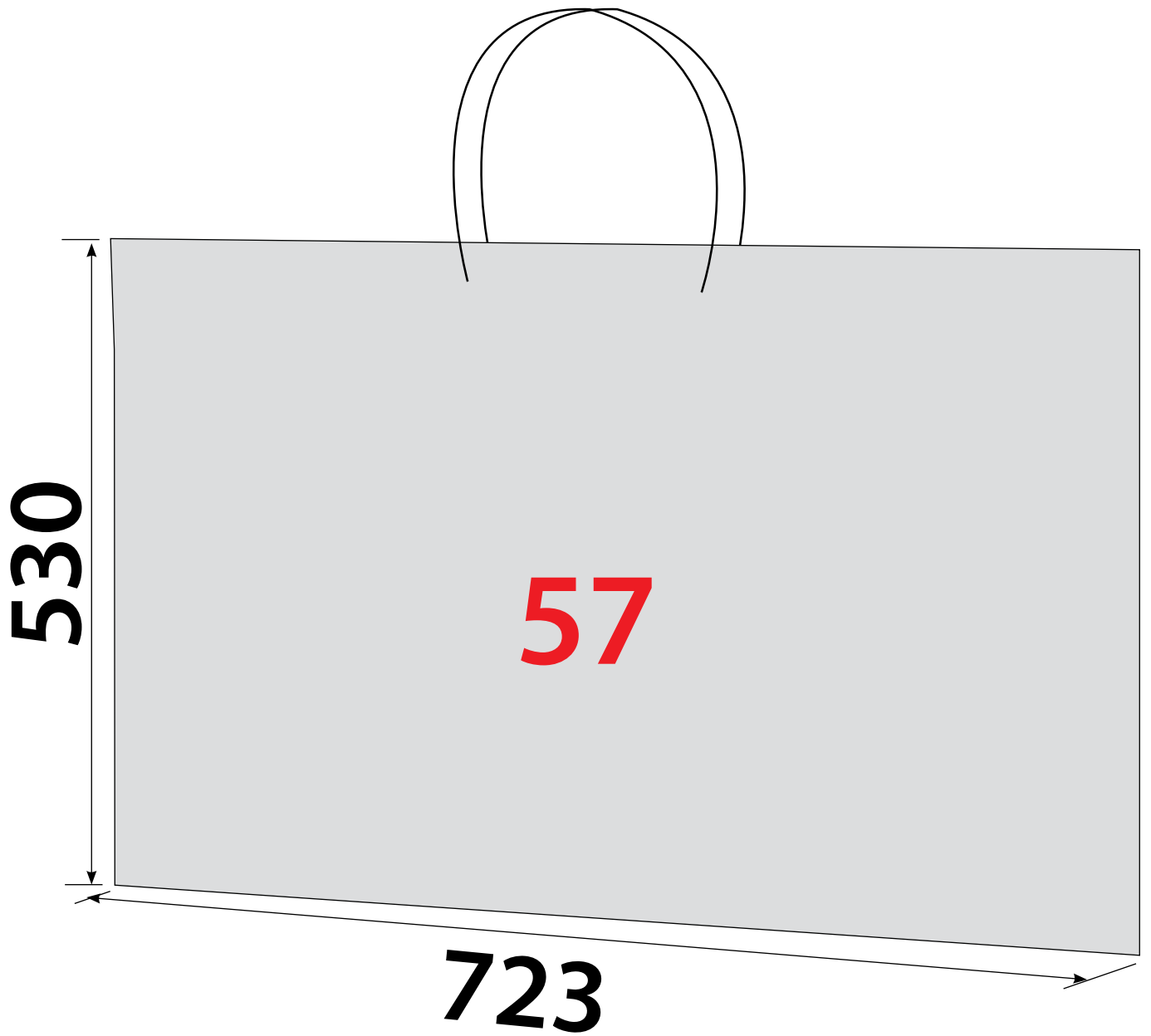
h 280x215x90



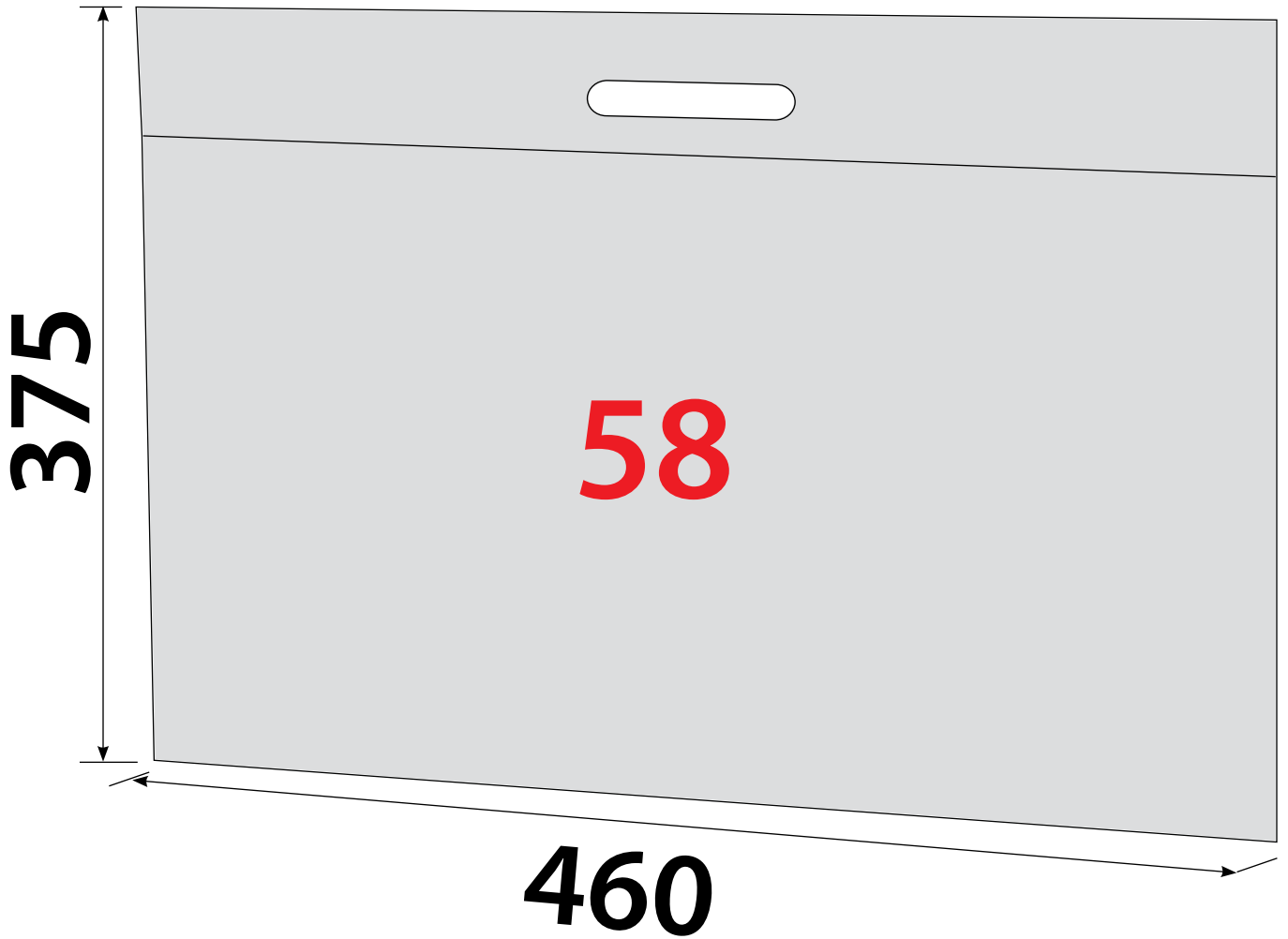
h 493x699



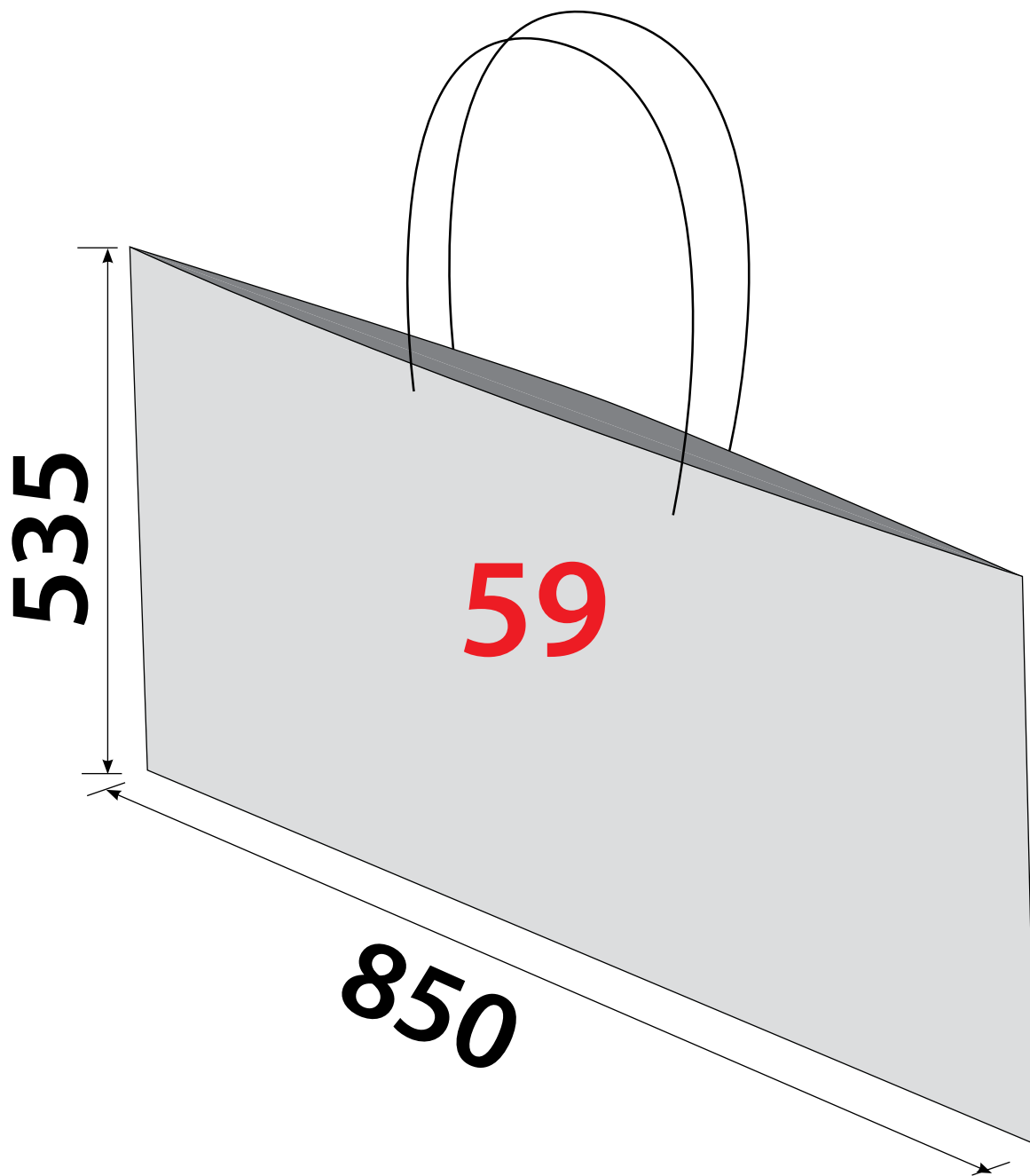
h 492x719



h 530x723



h 375x460



h 535x850